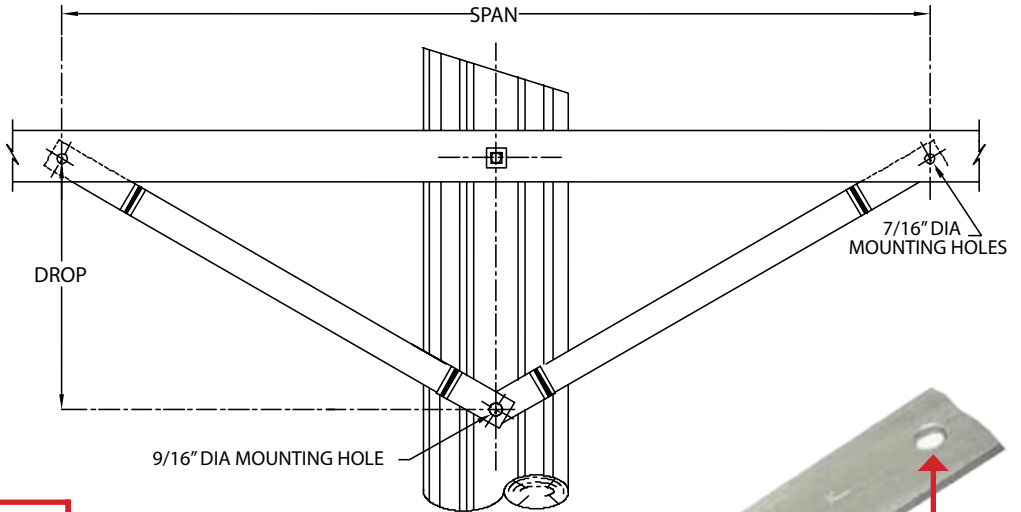


# Wood Crossarm Brace

## Sidearm Style

MacLean Power Systems' Sidearm Style Wood Crossarm Braces are designed for rural lines to provide a lightweight, durable, inexpensive wood brace. The MPS Sidearm Style Wood Crossarm Brace is design engineered for maximum durability.



### Preservative-Treated 3/4 x 1 3/4" Apitong Wood

- Weatherability
- High strength per cross-sectional area
- Resistance to environmental attack

### High Strength Aluminum Alloy End Fittings

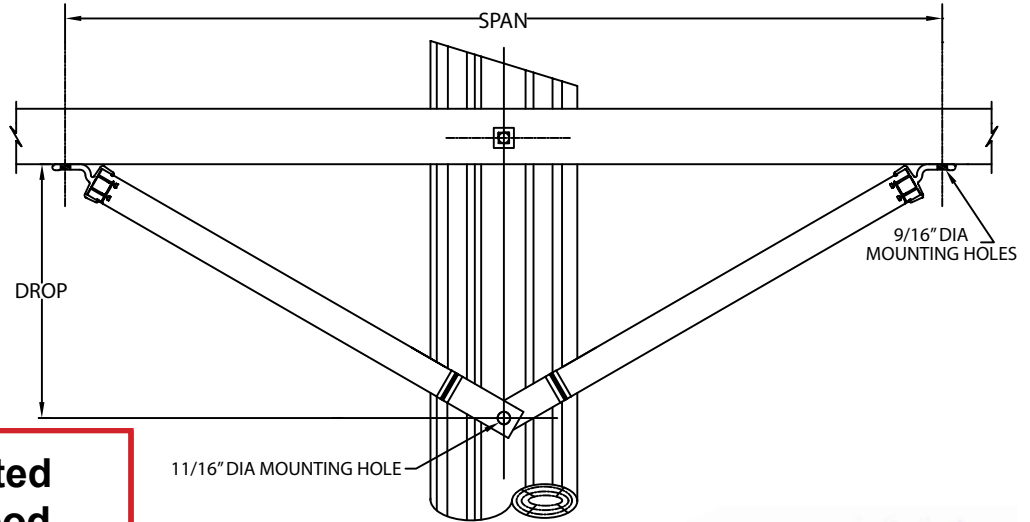
- Corrosion resistant
- Permanently pinned into wood with tongue/groove configuration
- Eliminates need for thread fasteners to secure the fittings to the wood

Catalog Number (pair)	Span (in)	Drop (in)	Crossarm Fitting Hole Diameter (in)	Pole Fitting Hole Diameter (in)	Weight (lbs/pair)
JA5526	38	18	7/16	9/16	1.6

# Wood Crossarm Brace

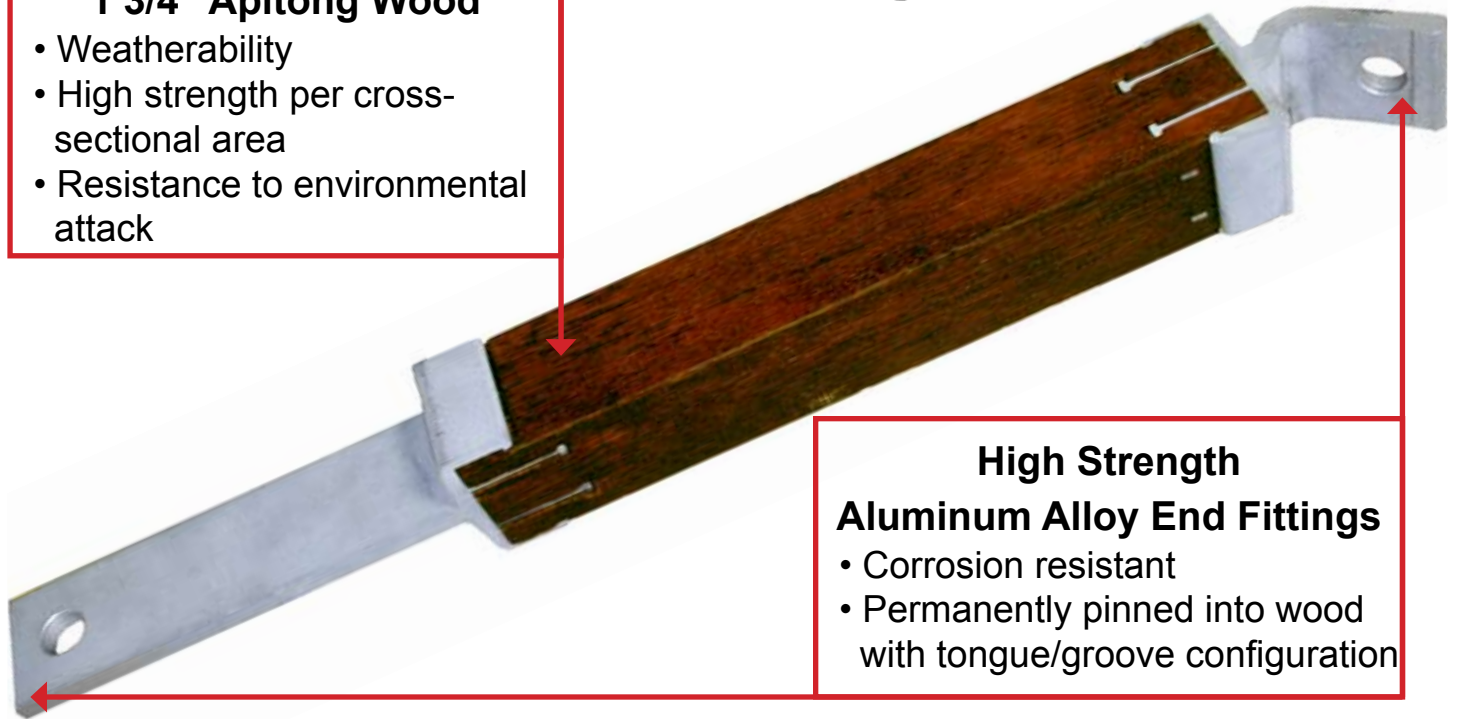
## Underarm Style

MacLean Power Systems' JA-R series wood crossarm braces feature a reversible underarm style to provide a lightweight, durable, inexpensive wood brace. The MPS Underarm Style Wood Crossarm Brace is design engineered for years of service life.



### Preservative-Treated 1 3/4" Apitong Wood

- Weatherability
- High strength per cross-sectional area
- Resistance to environmental attack



### High Strength Aluminum Alloy End Fittings

- Corrosion resistant
- Permanently pinned into wood with tongue/groove configuration

Catalog Number (pair)	Span (in)	Drop (in)	Crossarm Fitting Hole Diameter (in)	Pole Fitting Hole Diameter (in)	Weight (lbs/pair)
JA4788R	48	18	9/16	11/16	4.0
JA4760R	60	18	9/16	11/16	4.5
JA4761R	60	26	9/16	11/16	5.0
JA4730R	60	30	9/16	11/16	5.5
JA4766R	66	20	9/16	11/16	5.0
JA4772R	72	22	9/16	11/16	5.5

### MacLean Power Systems

11411 Addison Avenue  
Franklin Park, IL 60131

T: 847.455.0014 F: 847.455.0029 • www.maclepower.com