

Deadend Crossarm

High Strength, Small Profile

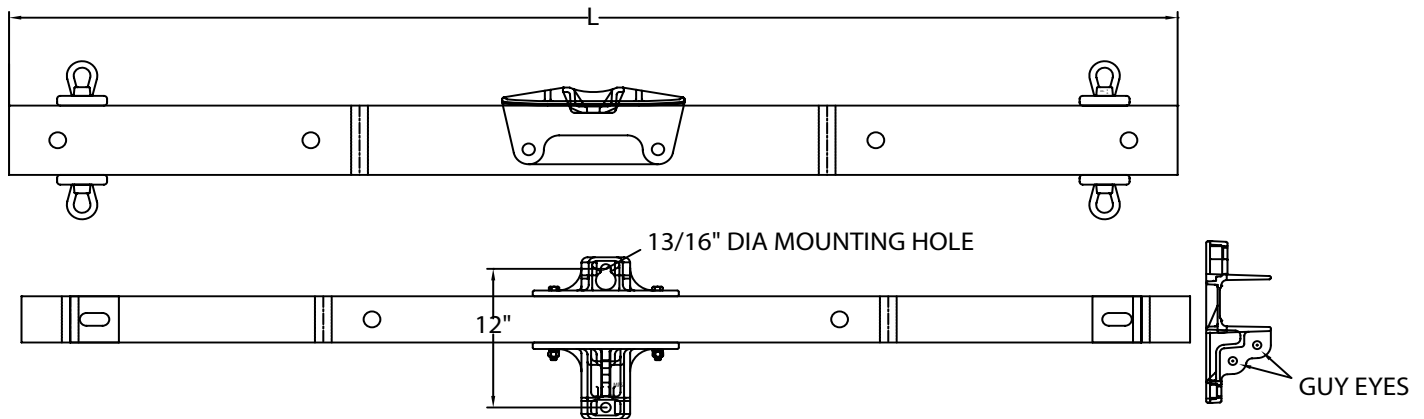
Features & Benefits

- UV stabilized pultruded fiberglass tube
- External and internal UV protective veil
- High density, closed cell, expandable foam
- Environmentally friendly - no chemicals or preservatives
- Alternative and superior product to wooden crossarms without the additional costs of chemical treatments and disposal
- Lighter than wood with consistent material properties
- Improves overall system insulation and integrity
- Quicker installation with no assembly required - units shipped ready to be installed
- Cross-sectional profile meets REA construction guidelines
- REA drill patterns available



Deadend Centermount Specifications

- Bandable
- Keyhole slot
- 12" Pole Mounting Spacing
- 3/4" pole mounting hardware
- "Double nutting" feature
- Centermount
 - Cast aluminum - A356 marine grade, corrosion resistant material
 - Dual guy attachment - rated 21k
 - 11/16" guy holes



Catalog Number	Length (Ft)	Ultimate Load Per Side (Lbs)	Deflection Per 1000 Lbs (In)	Tube Size	Endcap Color	Weight (Lbs)
PW05LD040-2E	5	9750	<0.40	3 5/8 x 4 5/8	Gray	34
PW08LD003-2E	8	9750	0.40	3 5/8 x 4 5/8	Gray	46
PW10LD005-2E	10	7500	0.89	3 5/8 x 4 5/8	Gray	55

