

Fiberglass Crossarms

Features and Benefits

- UV stabilized pultruded fiberglass tube
- External and internal UV protective veil
- High density, closed cell, expandable foam
- Field drillable design or custom factory drill patterns
- Environmentally friendly - no chemicals or preservatives
- Alternative and superior product to wooden crossarms without the additional costs of chemical treatments and disposal
- Lighter than wood with consistent material properties
- Improves overall system insulation and integrity
- Quicker installation with no assembly required - units shipped ready to be installed
- Cross-sectional profile meets REA construction guidelines
- Compatible installation with saddle pins on tangent crossarms
- REA drill patterns available



MacLean Power Systems



Deadend Crossarms

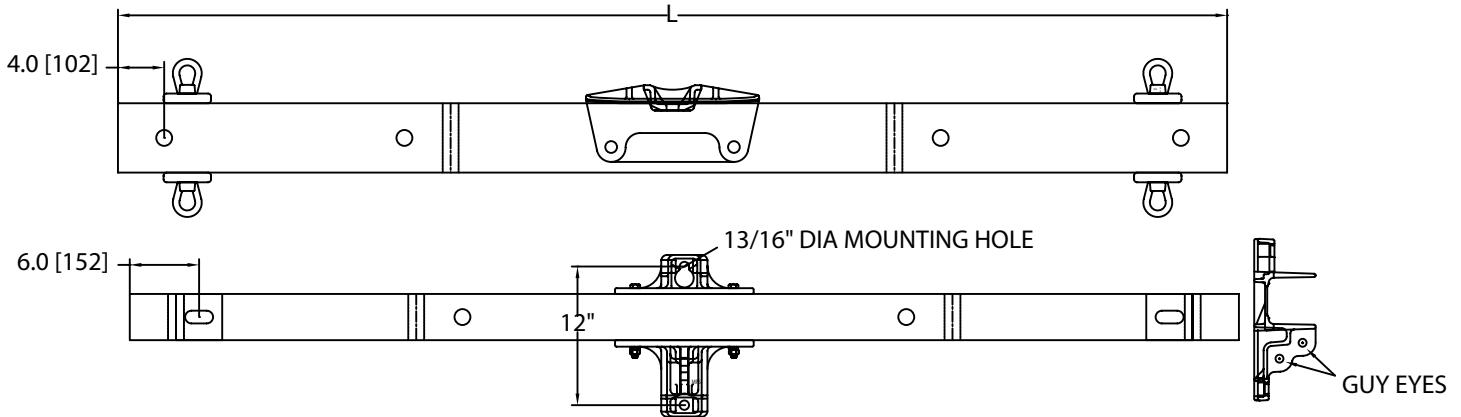


Deadend Centermount Specifications

- Bandable
- Keyhole slot
- 12" Pole Mounting Spacing
- 3/4" pole mounting hardware
- "Double nutting" feature
- Centermount
 - Ductile Iron, Hot Dip Galvanized ASTM A-153
 - Dual guy attachment - rated 30k
 - 13/16" guy holes
 - Weight (22 lbs)

End Cap Details

- Endcaps are color coded for easy use:
Black = Light Duty, Gray = Heavy Duty
- Rubberized material for extra durability
- Patent pending foam/endcap interlock design



Heavy Duty Deadend Series (PY)

Catalog Number	Length* (Ft)	Ultimate Load Per Side (Lbs)**	Deflection Per 1000 Lbs (In)	Tube Size	Endcap Color	Weight (Lbs)
PY05SD040-2E-SM	5	12500	<0.208	4 x 6	Gray	59
PY08SD003-2E-SM	8	12500	0.208	4 x 6	Gray	72
PY10SD005-2E-SM	10	11000	0.300	4 x 6	Gray	81
PY12SD349-2E-SM	12	9000	0.650	4 x 6	Gray	90

Light Duty Deadend Series (PZ)

Catalog Number	Length* (Ft)	Ultimate Load Per Side (Lbs)**	Deflection Per 1000 Lbs (In)	Tube Size	Endcap Color	Weight (Lbs)
PZ05LD040-2E-SM	5	7500	<0.506	4 x 6	Black	54
PZ08LD003-2E-SM	8	7500	0.506	4 x 6	Black	66
PZ10LD005-2E-SM	10	6000	0.667	4 x 6	Black	72

* Standard lengths shown. For other lengths, consult factory.

** Crossarms with "CH" (Center Phase) attachment used as a single-sided application are limited to an 84% ultimate load.

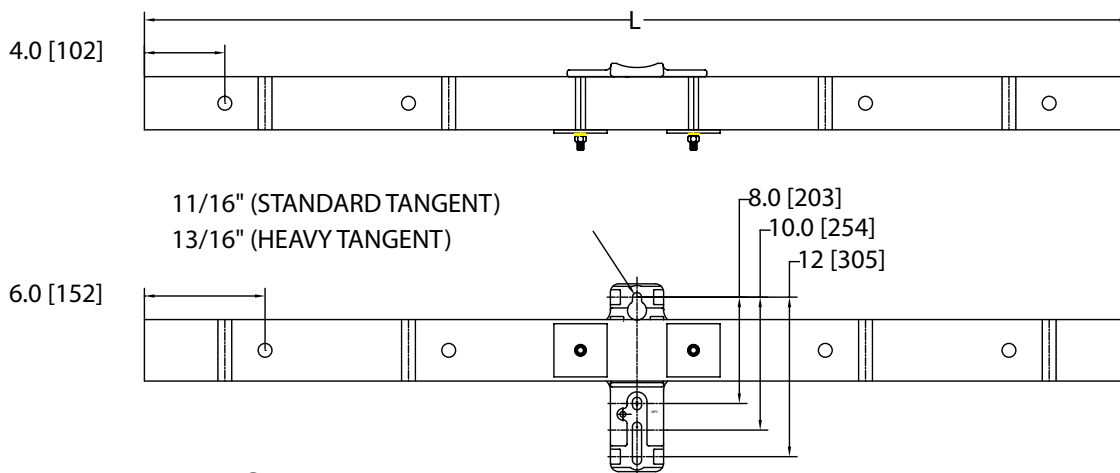


Tangent Crossarms



Tangent Centermount Specifications

- Bandable
- Keyhole slot
- Standard Tangent Centermount
 - 8", 10 - 12" pole mounting
 - 5/8" pole mounting hardware
- Heavy Tangent Centermount
 - 10 - 12" pole mounting
 - 3/4" pole mounting hardware



Standard Tangent Crossarms (PX)

Braceless Tangent Crossarms						
Catalog Number	Length* (Ft)	Ultimate Load Per Side (Lbs)	Deflection Per 1000 Lbs (In)	Tube Size	Endcap Color	Weight (Lbs)
PX08ST003	8	2500	1.520	3 5/8 x 4 5/8	Black	40
PX10ST005	10	2000	2.200	3 5/8 x 4 5/8	Black	47

Braced Tangent Crossarms**						
PX08REA003	8	2000	1.520	3 5/8 x 4 5/8	Black	32
PX10REA005	10	1500	2.200	3 5/8 x 4 5/8	Black	40

Heavy Tangent Crossarms (PW)

Braceless Tangent Crossarms						
Catalog Number	Length* (Ft)	Ultimate Load Per Side (Lbs)	Deflection Per 1000 Lbs (In)	Tube Size	Endcap Color	Weight** (Lbs)
PW08ST003	8	6000	0.608	3 5/8 x 4 5/8	Gray	45
PW08ST004	8	6000	0.608	3 5/8 x 4 5/8	Gray	45
PW10ST005	10	5000	1.140	3 5/8 x 4 5/8	Gray	56
PW12ST349	12	4500	1.750	3 5/8 x 4 5/8	Gray	66

Braced Tangent Crossarms**						
PW08REA003	8	4000	0.750	3 5/8 x 4 5/8	Gray	34
PW08REA004	8	4000	0.750	3 5/8 x 4 5/8	Gray	34
PW10REA005	10	4000	1.200	3 5/8 x 4 5/8	Gray	45

* Standard lengths shown. For other lengths, consult factory.

** Braces not provided



Catalog Numbering System

P **Y** **08** **SD** **003** - **2E** - **SM**

Tube Size	
X	= 3.625" x 4.625" Standard Tangent
W	= 3.625" x 4.625" Heavy Tangent
Z	= 4" x 6" Light Deadend
Y	= 4" x 6" Heavy Deadend

Crossarm Length	
08	= 8 Feet
10	= 10 Feet
12	= 12 Feet
xx	= Custom Length

Options	
—	= Single sided eyenuts
2E	= Double sided eyenuts at 2 locations (deadends only)
4E	= Double sided eyenuts at 4 locations (deadends only)
CH	= Double sided eyenuts at 2 locations and center phase attachment (deadends only)

Deadend	
SM	= Included only on deadend applications except for "CH" design

Pole Mounting Options	
SD	= Heavy deadend centermount (standard)
LD	= Light deadend centermount (standard)
ST	= Tangent centermount (optional)
REA	= Tangent arm, no centermount, REA spec drilling
UT	= Tangent arm, no centermount, non-REA spec drilling

Drill Pattern	
003	= REA type 03 drilling (8')
004	= REA type 04 drilling (8')
005	= REA type 05 drilling (10')
xxx	= Customer defined drilled (3 digit number assigned)

Installation Time Study

Double Wood Deadend	
Materials	
2	8' x 7.5" x 5.5" crossarms
3	5/8" double arming bolts
5	5/8" bolts
15	5/8" nuts
17	washers
2	5/8" eyenuts
4	crossarm braces
48	TOTAL items to assemble
Material Cost (estimated)	= \$150
Labor (3 man crew, pole climb, \$180/hour rate, 30 minute installation time)	= \$ 90
TOTAL INSTALLTION COST	= \$240



MPS Heavy Deadend	
Materials	
1	8' x 4" x 6" fiberglass heavy deadend
2	3/4" bolts
2	3/4" nuts
2	3/4" lock washers
2	curved washers
9	TOTAL items to assemble
Material Cost (estimated)	= \$160
Labor (2 man crew, pole climb, \$120/hour rate, 7.5 minute installation time)	= \$ 15
TOTAL INSTALLTION COST	= \$175



MacLean Power Systems Fiberglass Crossarms Saved \$65 per Assembly!

MacLean Power Systems

11411 Addison Avenue

Franklin Park, IL 60131

T: (847) 455-0014 F: (847) 455-0029

EM: info@macleanpower.com

Visit us at www.macleanpower.com