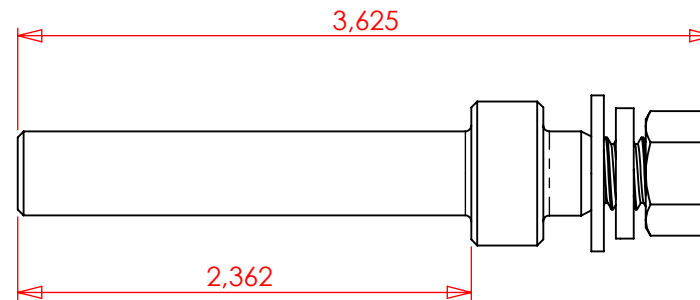
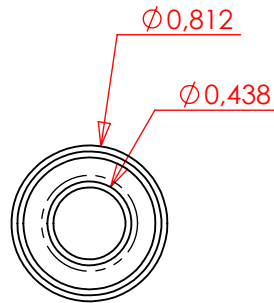
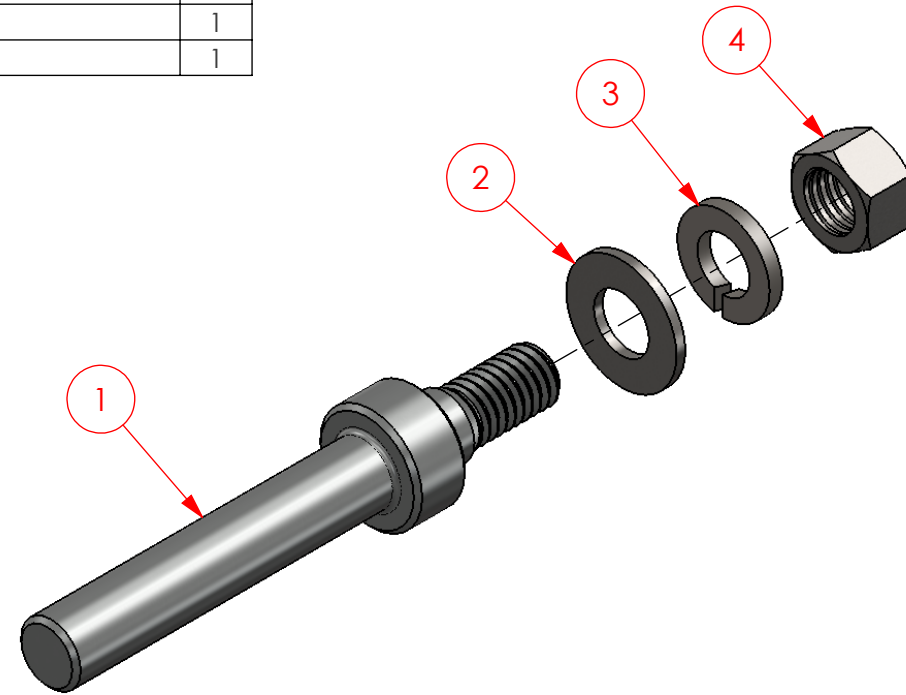


| ITEM | DESCRIPTION | MATERIAL | QTY |
|------|------------------|-----------------|-----|
| 1 | GROUNDING STUD | COPPER C110-ETP | 1 |
| 2 | 3/8" FLAT WASHER | STAINLESS STEEL | 1 |
| 3 | 3/8" LOCK WASHER | STAINLESS STEEL | 1 |
| 4 | 3/8"-16 HEX. NUT | STAINLESS STEEL | 1 |

PART NUMBER
F610124
DRAWING NUMBER
03-M-010
FORMAT
A



This drawing contains confidential information that is the property of MacLean Power Systems Canada. Use of MacLean's confidential information without MacLean's express written consent is strictly prohibited and may expose you to legal liability. If you believe that you received this material in error, please destroy it or return it to MacLean Power Systems Canada, 225 Ford, Chateauguay (Québec), Canada, J6J 4Z2



225 Ford, Châteauguay (Qué.) Canada J6J 4Z2
Tel. (450) 698-0520 Fax: (450) 692-5670

DESCRIPTION
GROUND STUD 3 5/8" OVERALL LENGTH

| | |
|----------------|----------------|
| PROJECT NUMBER | PART NUMBER |
| SAP: | F610124 |
| PAGE | PRODUCT NUMBER |
| 1 of 1 | 03-M-010 |
| | DRAWING NUMBER |
| | 03-M-010 |