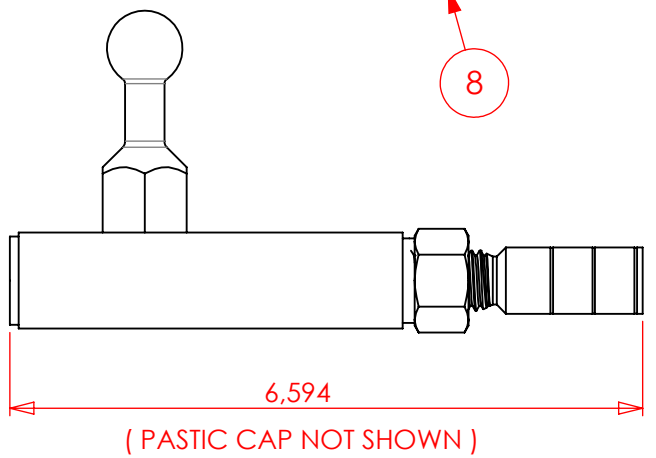
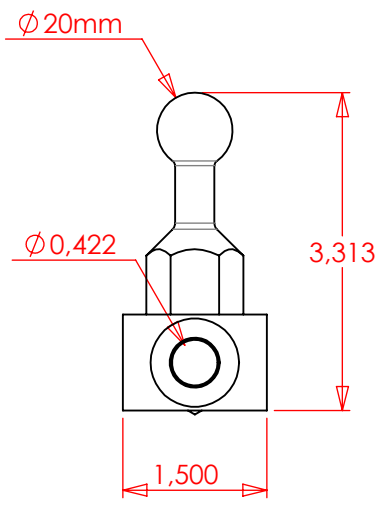
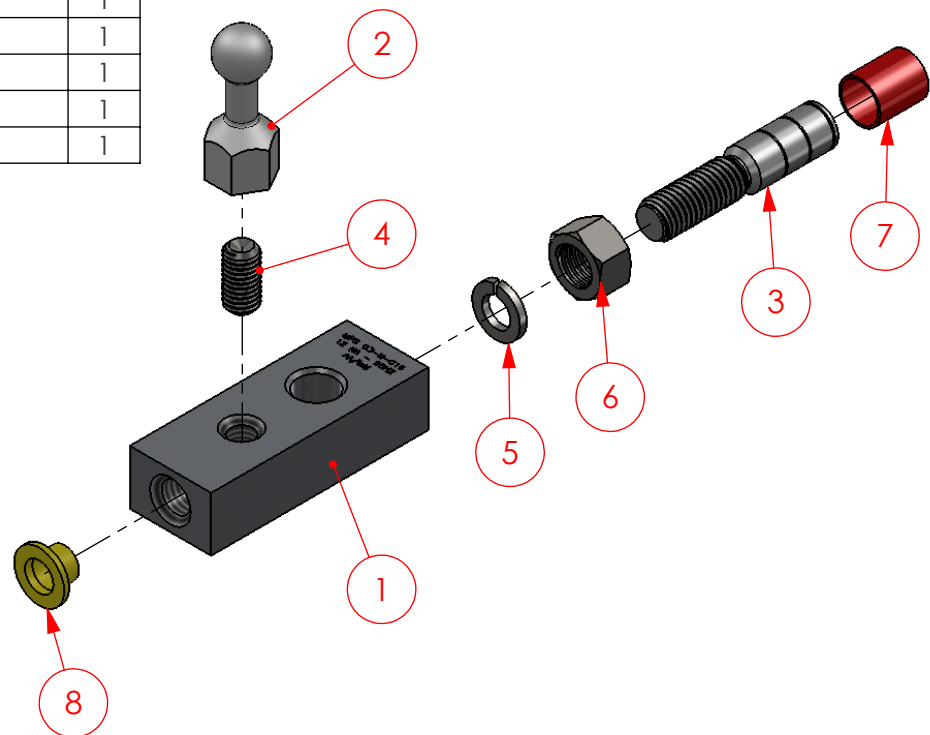



ITEM	DESCRIPTION	MATERIAL	QTY
1	TEMPORARY GROUNDING BLOCK	ALUMINIUM 6061-T6	1
2	20MM GROUND BALLSTUD	COPPER C110-ETP TINNED	1
3	COMPRESSIBLE FERRULE 1/0 AWG	COPPER C110-ETP TINNED	1
4	SET SCREW 1/2-13 X 1" LENGTH	STAINLESS STEEL	1
5	1/2" LOCK WASHER	GALVANIZED STEEL	1
6	5/8"-11 HEX. NUT	STAINLESS STEEL	1
7	IN.Ø PLASTIC CAP	PLASTIC	1
8	YELLOW PLASTIC CAPPLUGS Ø0,615"	PLASTIC	1

PART NUMBER
F610125
DRAWING NUMBER
03-M-016
FORMAT
A



This drawing contains confidential information that is the property of MacLean Power Systems Canada. Use of MacLean's confidential information without MacLean's express written consent is strictly prohibited and may expose you to legal liability. If you believe that you received this material in error, please destroy it or return it to MacLean Power Systems Canada, 225 Ford, Chateauguay (Québec), Canada, J6J 4Z2



**MACLEAN
POWER
SYSTEMS**
225 Ford, Chateauguay (Qué.) Canada J6J 4Z2
Tel. (450) 698-0520 Fax: (450) 692-5670

DESCRIPTION
1/0 GROUND TERMINAL WITH
20MM BALLSTUD

PROJECT NUMBER
R4612
SAP:
PAGE
1 of 1

PART NUMBER
F610125
PRODUCT NUMBER
03-M-016
DRAWING NUMBER
03-M-016