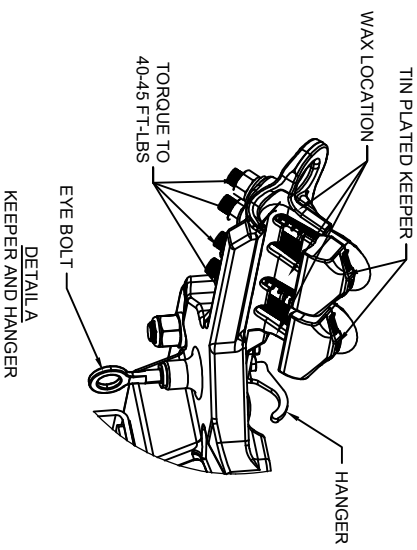
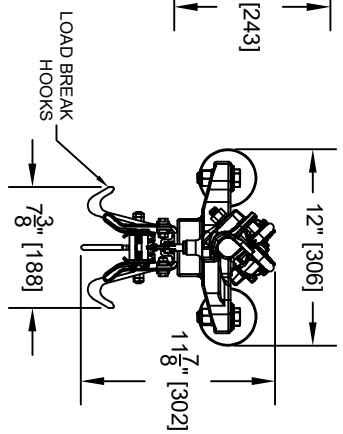
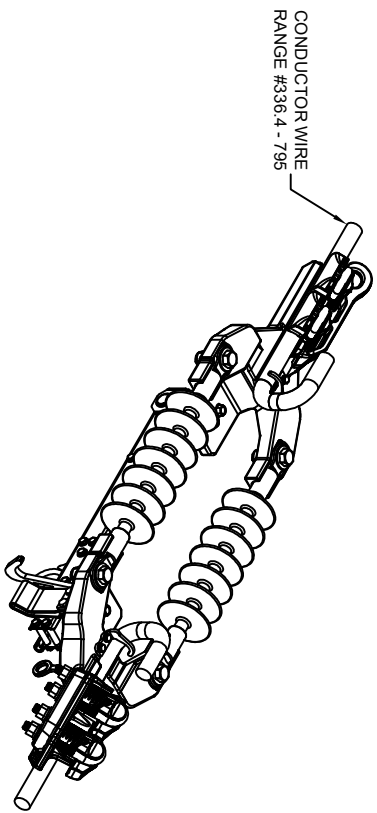
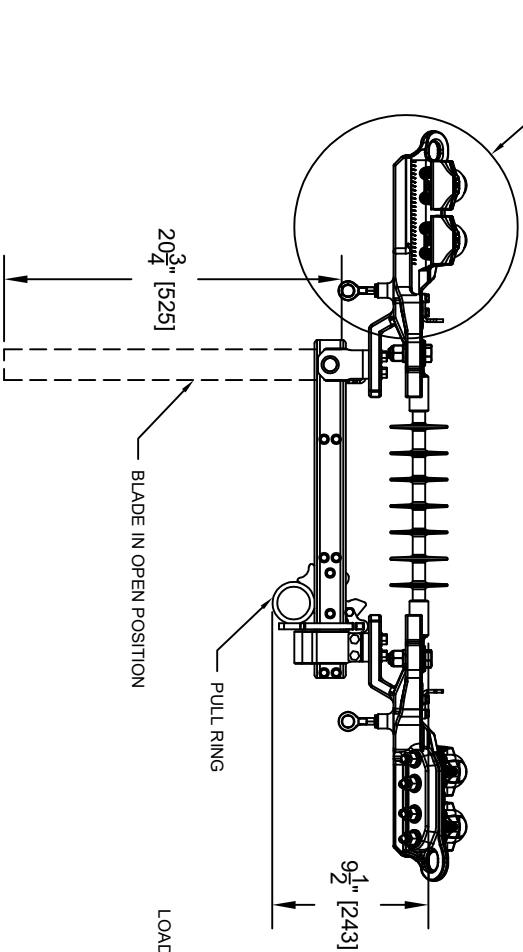
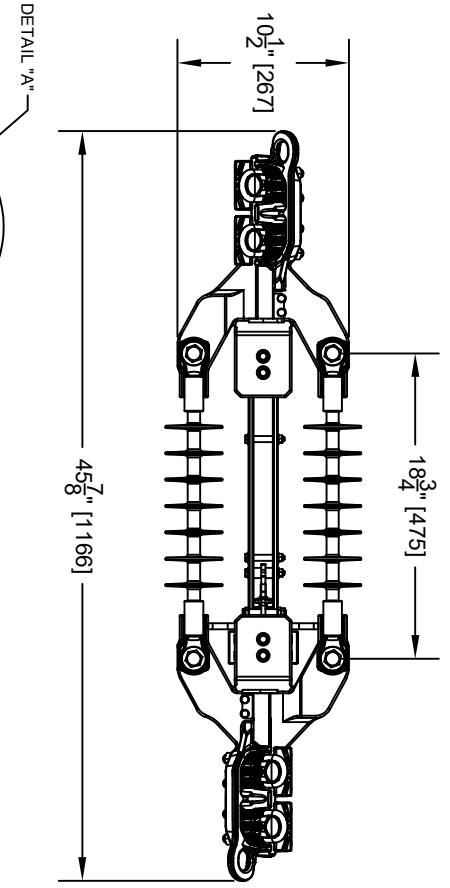


DRAWING NO. 10315-31-2M REVISION NO. 00



SWITCH SPECIFICATIONS

- CATALOG #: ERG31D-2
- VOLTAGE CLASS: 38.0KV
- B.I.L. RATING: 200kV
- CONTINUOUS CURRENT: 1200A-RMS (IEEE C37.30.1-2022)
- MOMENTARY CURRENT: 70,000 AMP, 10 CYCLES
- 44,000 AMP, 3 SECONDS
- CONDUCTOR RANGE ACSR: #336.4 - 795
- CLAMPING RANGE: 0.72" TO 1.1"
- ULTIMATE STRENGTH: 15,000 LBS (BODY)
- 6,000 LBS (PULLING EYE)
- BODY/KEEPER MATERIAL: A356-T6 ALUMINIUM ALLOY
- SWITCH LIFTING WEIGHT: 38 POUNDS

- INSTALLATION INSTRUCTIONS:**
- HANG IN-LINE ERGO DISCONNECT ON CONDUCTOR WIRE USING THE HANGER.
 - VERIFY WAX IS ON THE KEEPER TO PREVENT GALLING. SEE DETAIL "A" FOR LOCATION.
 - SECURE THE IN-LINE ERGO DISCONNECT USING THE KEEPER. TORQUE TO 40.45 FT-LBS.
 - CUT CONDUCTOR WIRE.
 - BEND BACK AND SECURE CONDUCTOR WIRE OUT OF THE WAY.
 - OPERATE DISCONNECT OPEN AND CLOSED. VERIFY THE BLADE OPENS FULLY IN THE OPEN POSITION AND LATCHES SECURELY IN THE CLOSED POSITION.

00	10323	INITIAL RELEASE	03/09/28	DC	
REV #	EQ#	REVISION DESCRIPTION	DATE	BY	
<p>THIS IS A PROPRIETARY AND CONFIDENTIAL DOCUMENT. THE DESIGN, CONCEPTS, SKETCHES, AND DIMENSIONS SHOWN ON THIS DOCUMENT SHALL BE COPIED IN WHOLE OR IN PART WITHOUT THE EXPRESS PERMISSION OF MACLEAN POWER SYSTEMS. THE DOCUMENT IS PROTECTED BY US FEDERAL COPYRIGHT LAW.</p>					



SWITCH DESCRIPTION		CONSTRUCTION DRAWING	
SINGLE ERGONOMIC IN-LINE DISCONNECT SWITCH, 38.0KV, 1200A, 200KV B.I.L. RATING, SILICONE INSULATOR, UNDERARM INSTALL		DATE: 02/28/28	SCALE: NTS
		DRAWING NO. 10315-31-2M	REVISION NO. 00