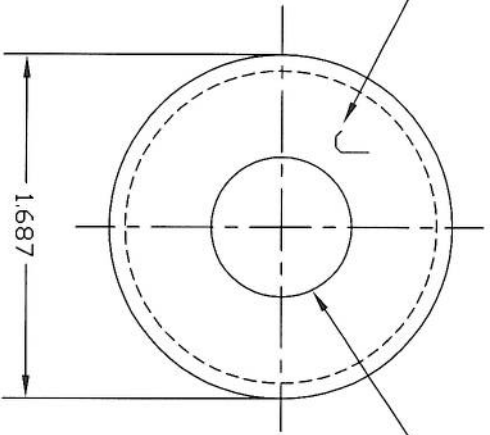
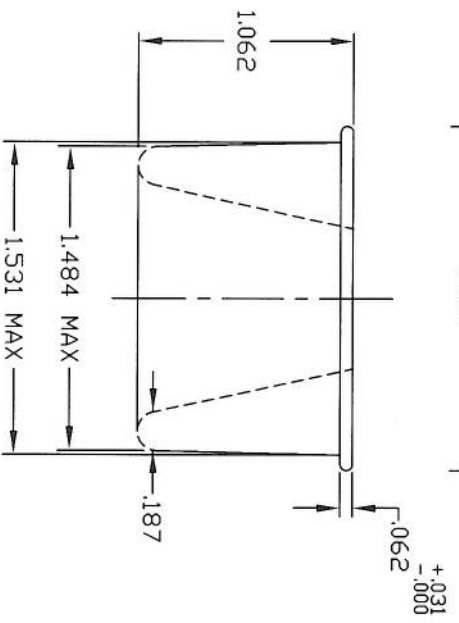


LETTER "J" TO BE RECESSED ON THE CASTING



H DIA HOLE
+.031
-.000



CATALOG NO.	H
J3225	.687
J3237	.812

MATERIAL:
MALLEABLE IRON (ASTM A-47, GRADE 32510)

- NOTES:
- 1) ALL DIMENSIONS ARE IN INCHES
 - 2) HOT DIP GALVANIZED (ASTM A-153)

NO.		REVISION		DIMENSIONAL		TOLERANCES		DATE		CK.	
FRACTIONAL ±		DECIMAL ±		.031		ANGULAR ±					
SUPERSEDES: DWG NO. 1208 DATED 9-12-74											
<p>THIS DRAWING IS THE PROPERTY OF JOSLYN MANUFACTURING CO. AND EMPLOYES A CONFIDENTIAL, PROPRIETARY DESIGN IN WHICH JOSLYN RETAINS ALL PATENTS AND RIGHTS. NO PART OF THIS DRAWING OR THE INFORMATION CONTAINED HEREIN IS TO BE REPRODUCED OR TRANSMITTED IN ANY FORM OR BY ANY MEANS, ELECTRONIC OR MECHANICAL, INCLUDING PHOTOCOPYING, RECORDING, OR BY ANY INFORMATION STORAGE AND RETRIEVAL SYSTEM, WITHOUT THE PRIOR WRITTEN CONSENT OF JOSLYN.</p>											
CATALOG NO.						CATALOG NO.					
JOSLYN MANUFACTURING CO.						JOSLYN MANUFACTURING CO.					
PIN HOLE ADAPTER						PIN HOLE ADAPTER					
DETAIL						DETAIL					
DATE 9-24-93			DRAWN JB			DWG. NO. 1208			CHECKED		
SCALE:			SHEET 1 OF 1								