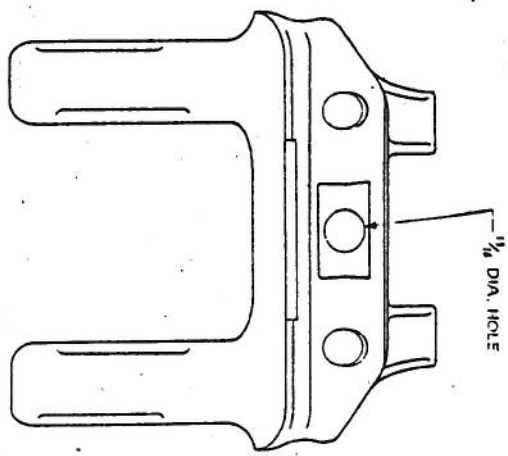
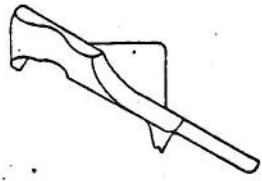


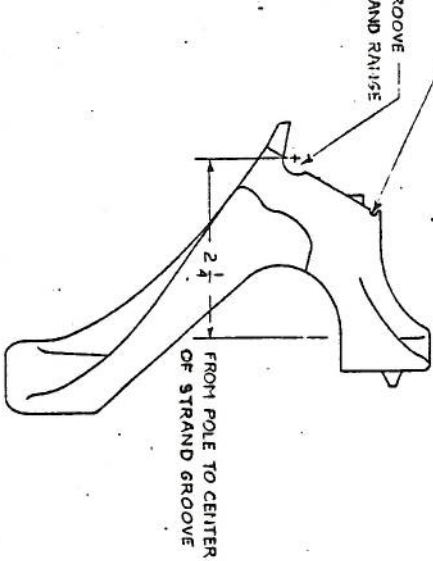
CLAMPING PLATE
PART NO. P-194B (DOT)
SCALE - 3/4 SIZE



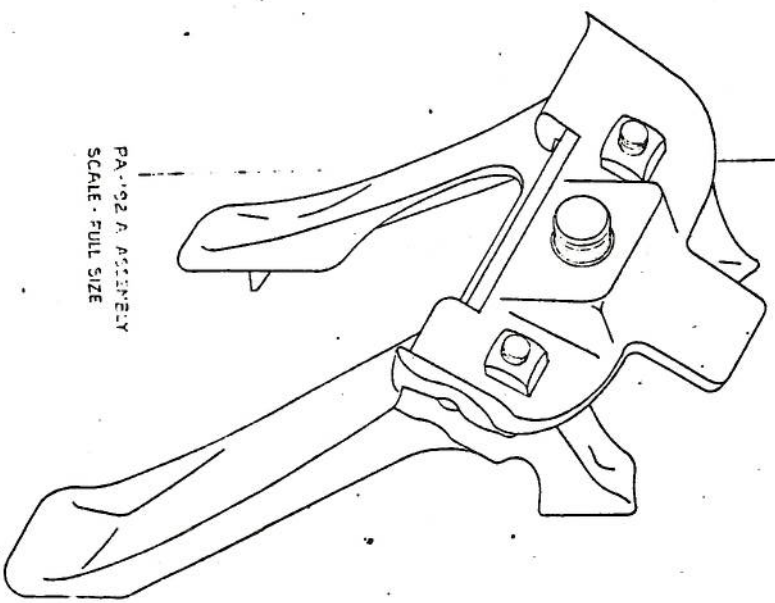
CLAMP BODY
PART NO. P-192A (DOT)
SCALE - 3/4 SIZE



GROUND WIRE GROOVE SIZE
FOR # 6 AWG
MESSANGER GROOVE
5/16 - 1/2 DIA. STRAND RAISE



2 1/4
FROM POLE TO CENTER
OF STRAND GROOVE



PA-192A ASSEMBLY
SCALE - FULL SIZE

LIST OF MATERIALS

PA-192A ASSEMBLY			
PART NO.	NO. REQD.	NAME	
P-192A (DOT)	1	CLAMP BODY	
P-194B (DOT)	1	CLAMPING PLATE	
PB 324	2	1/2" x 2.50 HD. MACHINE BOLT	
PB 162	2	1/2" ASH SQ NUT	

PA-192AH ASSEMBLY			
PART NO.	NO. REQD.	NAME	
P-192A (DOT)	1	CLAMP BODY	
P-194B (DOT)	1	CLAMPING PLATE	
PB 324	2	1/2" x 2.50 HD. MACHINE BOLT	
PB 343	2	1/2" AS. HEX NUT-FE-ITEMA STD	

MATERIALS SPEC. BY: S. S. 40. REV. 11-22-42
MALLEABLE IRON FITTINGS CO.
BRANFORD, CONN.

A REVISION 6-11-73			
A.1 ADDED ASSEMBLY PA-192AH			
PART OR PART NO.	DATE	BY	CHK BY
PA-192AH (DOT)		AS NOTED	J. CLARK
AERIAL CABLE CLAMP ASSEMBLY			
SCALE	DR. BY	CR. BY	
AS NOTED	J. CLARK		
DATE			
3-6102			