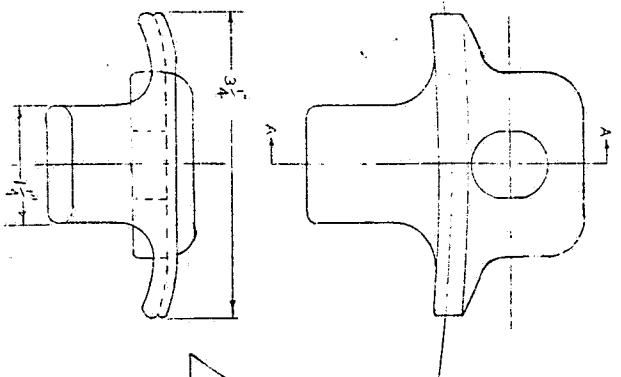
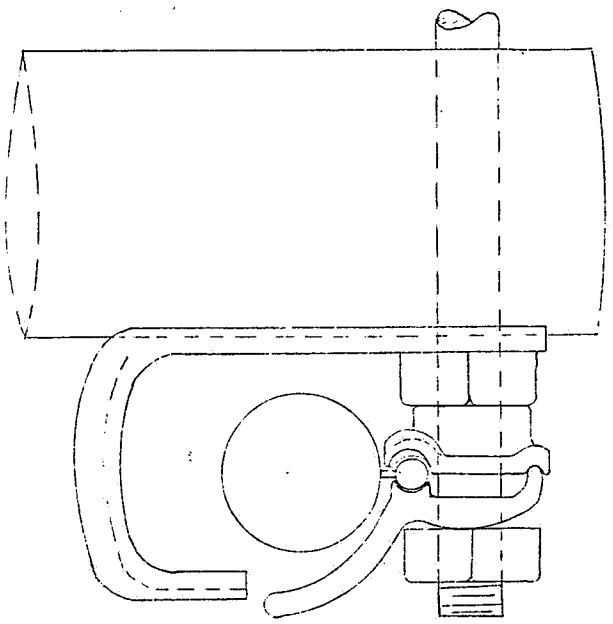
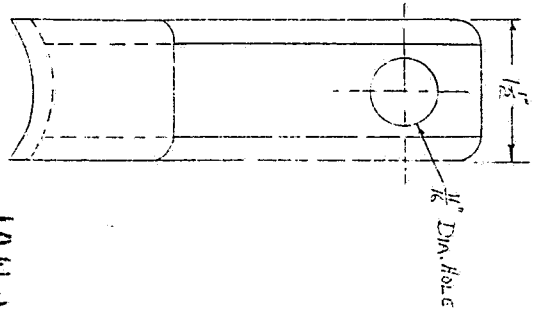
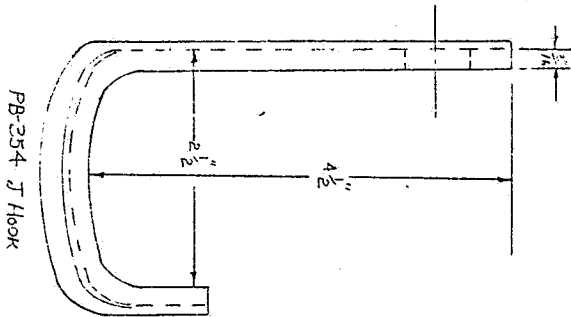
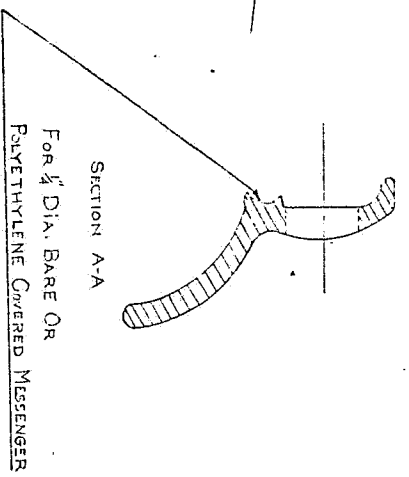


P-296-X CLAMP BODY



P-297-X CLAMPING PLATE



JAN 28 1982

|   |  |        |  |          |  |            |  |             |  |                   |  |
|---|--|--------|--|----------|--|------------|--|-------------|--|-------------------|--|
| MADE ON   |  | QUAN.  |  | MATERIAL |  | SUPERSEDES |  | Dwg. 3-7554 |  | PAT. OR PENT. NO. |  |
|   |  |        |  |          |  |            |  |             |  | A2296 X           |  |
| SCALE   |  | DR. BY |  | CHK. BY  |  | DATE       |  | APPROVED    |  | 3-7707            |  |
| MAIL EABLE IRON FITTINGS CO.<br>BRANFORD, CONN. |  |        |  |          |  |            |  |             |  |                   |  |
| FIG. 2 CAPIT. OF MAIL EABLE IRON FITTINGS CO.   |  |        |  |          |  |            |  |             |  |                   |  |