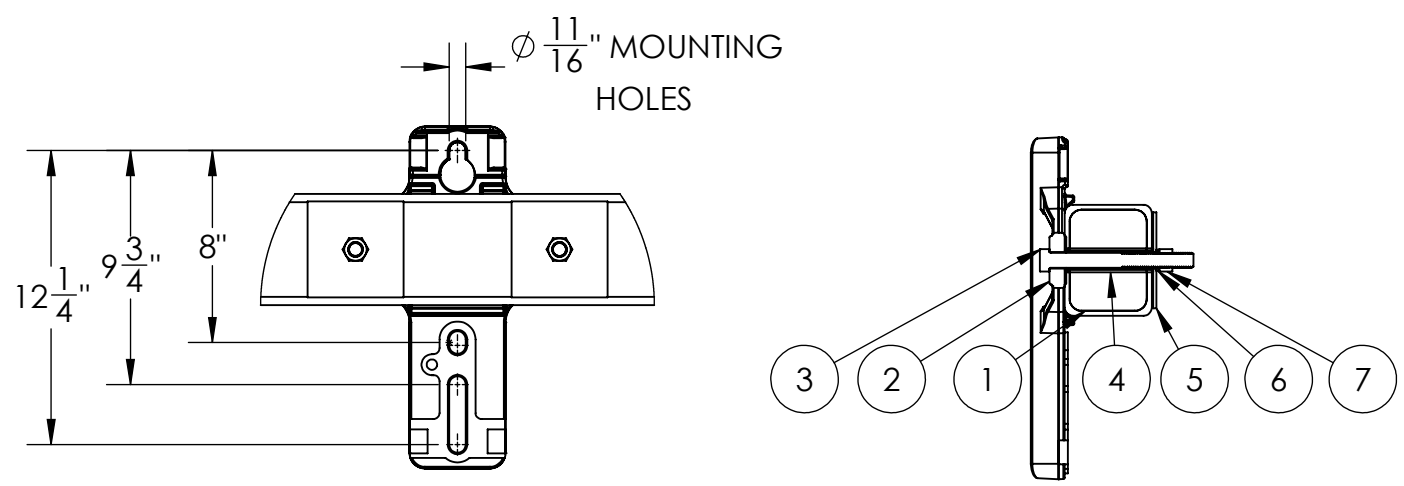


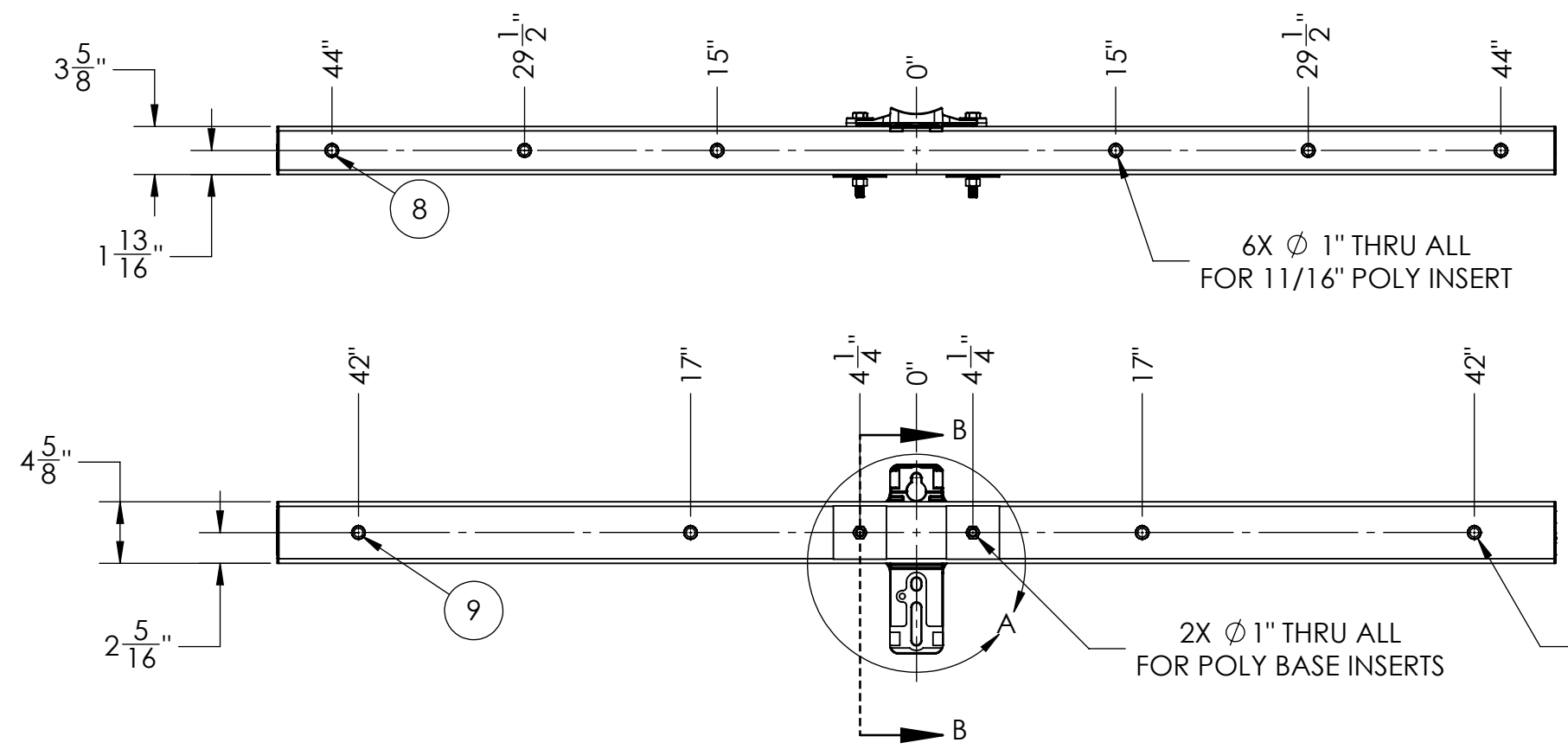
PAPER SIZE		DRAWING NUMBER	
<b>B</b>		<b>3001-276C</b>	
REVISIONS			
REV.	ECO BY	ECO DATE	ECO NUMBER



DETAIL A  
SCALE 1 : 8

SECTION B-B  
SCALE 1 : 8

ITEM NO.	PART NUMBER	DESCRIPTION	QTY.
1	P90008XC	PX FOAMED TUBE, 96" LG, CR	1
2	P61339	LIGHT DUTY TANGENT BASE - ALUMINUM	1
3	P120030	5/8"-11 UNC X 6" LG HEX HEAD BOLT, 304 SS	2
4	P72081B	11/16 POLYMER BASE INSERT 3.625 IN LG	2
5	P120032	4" x 4" x 11/16" ID SQUARE WASHER - 304 SS	2
6	P120028	5/8" LOCKWASHER - 304 SS	2
7	P120034	5/8"-11 UNC HEX NUT, 304 SS	2
8	P72066F	11/16 POLYMER INSERT 4.625 IN LG	6
9	P72066B	11/16 POLYMER INSERT 3.625 IN LG	4



- NOTES:
1. ULTIMATE LOAD RATINGS
    1. VERTICAL (2-POSITION): 3200 LBF
    2. VERTICAL (4-POSITION): 2350 LBF
    3. VERTICAL (6-POSITION): 1600 LBF

This drawing contains confidential information that is the property of MacLean Power, L.L.C. ("MPS"). Use of MacLean's confidential information without MPS's express written consent is strictly prohibited and may expose you to legal liability. If you believe that you received this material in error, please destroy it or return it to "MPS, 481 Munn Rd East, Fort Mill, SC 29715, USA."

UNLESS OTHERWISE SPECIFIED DIMENSIONS ARE IN : INCHES	
XX	+/- 1/4
X/XX	+/- 1/32
ANGLES	+/- 1DEG

SCALE 1:12.5 DO NOT SCALE SHEET

CATALOG NO: **PX08ST004-SSCR-I**  
 PART NO:  
 CID NO:  
 WEIGHT: **32 LBS**

DESCRIPTION:  
**PX TANGENT CROSSARM, 8 FT LG, SS HARDWARE, CR, INSERTS**  
 ENG APR: PNR DATE: 3/13/26



PAGE 1 OF 1 ORIGINAL DATE: 3/13/26  
 DRAWING NUMBER: **3001-276C**