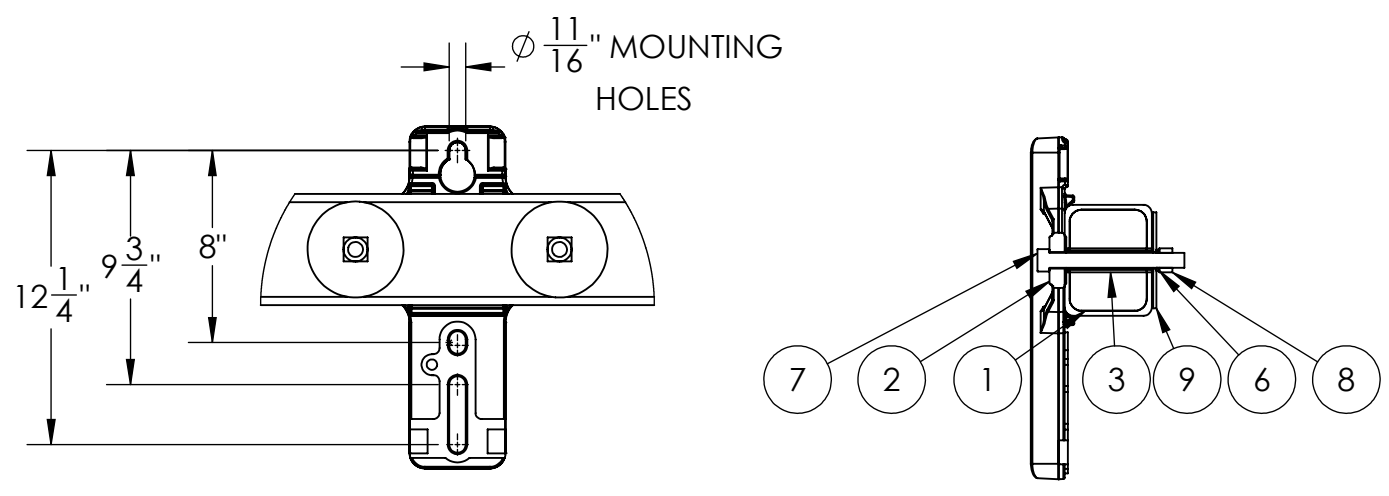


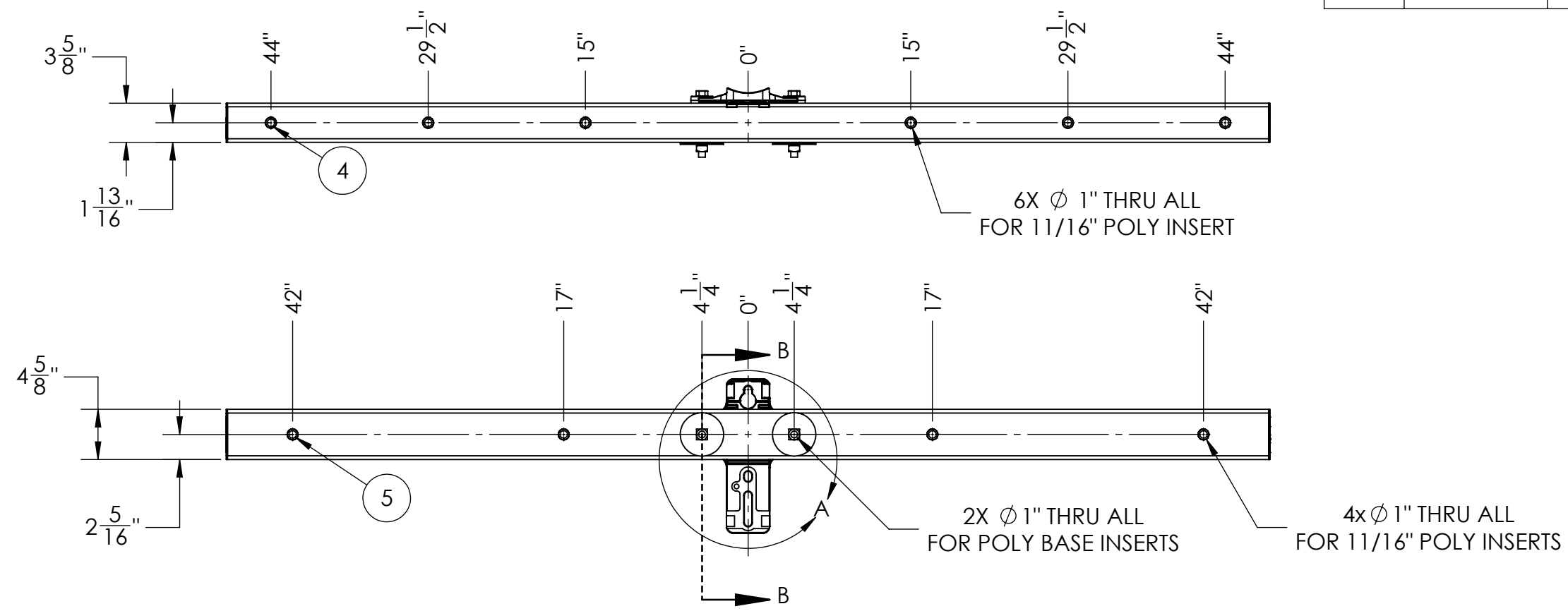
PAPER SIZE		DRAWING NUMBER	
B		3001-279C	
REVISIONS			
REV.	ECO BY	ECO DATE	ECO NUMBER



DETAIL A
SCALE 1 : 8

SECTION B-B
SCALE 1 : 8

ITEM NO.	PART NUMBER	DESCRIPTION	QTY.
1	P90008XC	PX FOAMED TUBE, 96" LG, CR	1
2	P61339	LIGHT DUTY TANGENT BASE - ALUMINUM	1
3	P72081B	11/16 POLYMER BASE INSERT 3.625 IN LG	2
4	P72066F	11/16 POLYMER INSERT 4.625 IN LG	6
5	P72066B	11/16 POLYMER INSERT 3.625 IN LG	4
6	F614920	5/8" LOCKWASHER, HDG	2
7	P42113	5/8-13 x 6" BOLT GALV	2
8	P82314	5/8 SQ NUT	2
9	P72050	11/16" ID 4" ROUND WASHER, GALVANIZED	2



- NOTES:
1. ULTIMATE LOAD RATINGS
 1. VERTICAL (2-POSITION): 3200 LBF
 2. VERTICAL (4-POSITION): 2350 LBF
 3. VERTICAL (6-POSITION): 1600 LBF

This drawing contains confidential information that is the property of MacLean Power, L.L.C. ("MPS"). Use of MacLean's confidential information without MPS's express written consent is strictly prohibited and may expose you to legal liability. If you believe that you received this material in error, please destroy it or return it to "MPS, 481 Munn Rd East, Fort Mill, SC 29715, USA."

UNLESS OTHERWISE SPECIFIED DIMENSIONS ARE IN : INCHES	
XX	+/- 1/4
X/XX	+/- 1/32
ANGLES	+/- 1DEG

SCALE 1:12.5 DO NOT SCALE SHEET

CATALOG NO:	PX08ST004-CR-I
PART NO:	
CID NO:	
WEIGHT:	32 LBS

DESCRIPTION:	PX TANGENT CROSSARM, 8 FT LG, CR, INSERTS
ENG APR:	PNR
DATE:	3/13/26

481 Munn Rd East, Fort Mill, SC 29715
WWW.MACLEANPOWER.COM

PAGE 1 OF 1	ORIGINAL DATE: 3/13/26
DRAWING NUMBER: 3001-279C	