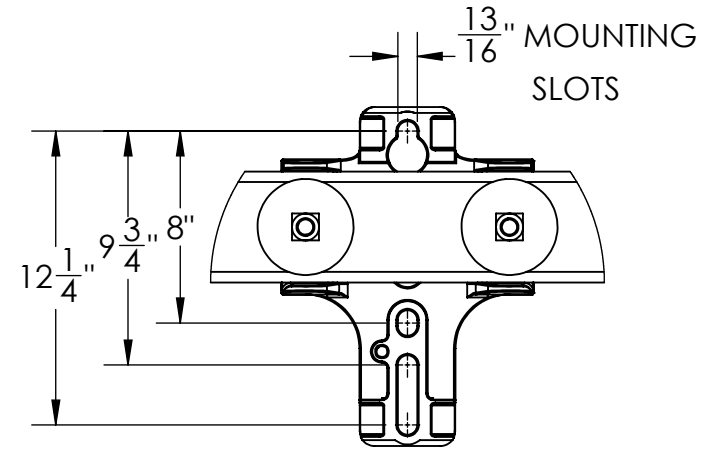
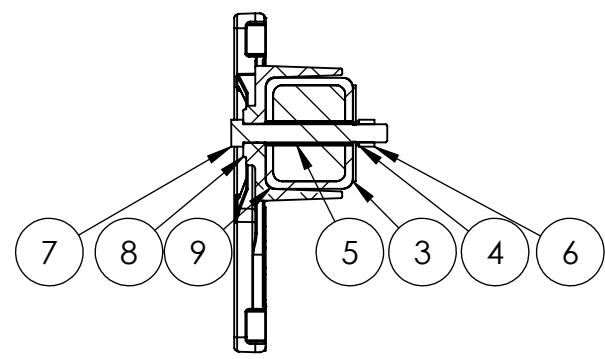


PAPER SIZE		DRAWING NUMBER	
<b>B</b>		<b>3003-524C</b>	
REVISIONS			
REV.	ECO BY	ECO DATE	ECO NUMBER

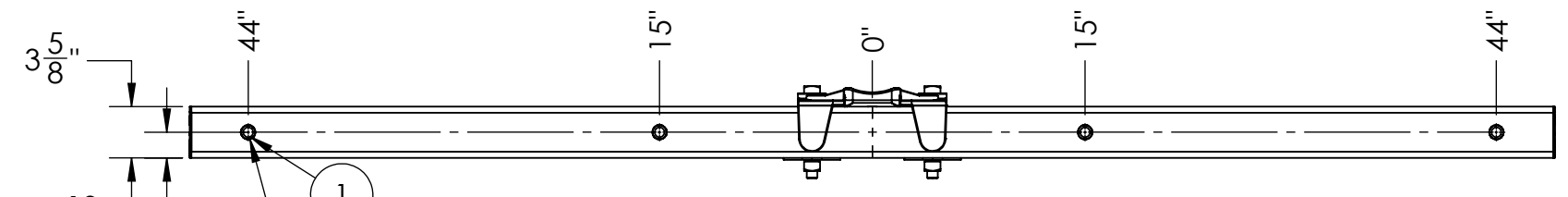


DETAIL A  
SCALE 1 : 8

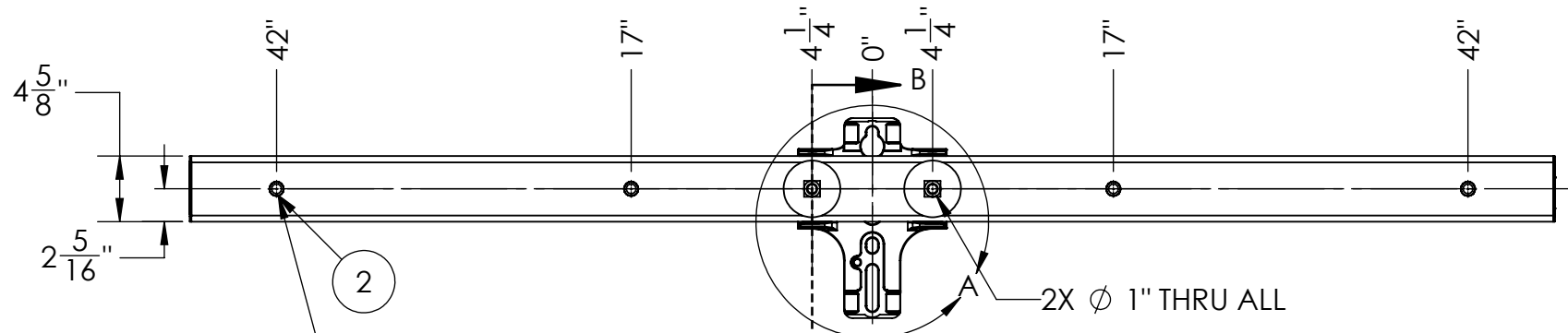


SECTION B-B  
SCALE 1 : 8

ITEM NO.	PART NUMBER	DESCRIPTION	QTY.
1	P72066F	11/16 POLYMER INSERT 4.625 IN LG	4
2	P72066B	11/16 POLYMER INSERT 3.625 IN LG	4
3	P72051	13/16" ID 4" ROUND WASHER, GALVANIZED	2
4	F338983	3/4" LOCKWASHER, HDG	2
5	P72082B	13/16 POLYMER BASE INSERT 3.625 IN LG	2
6	P42223	NUT, SQ, 3/4-10 HDG	2
7	P42120	3/4-10 x 6" HDG BOLT, SQ HEAD, GRADE 2	2
8	P72087	HD FLANGED TANGENT BASE, 13/16 MOUNTING, ALUMINUM	1
9	P90008WC	PW FOAMED TUBE, 96 IN LG, CR	1



4X Ø 1" THRU ALL  
FOR Ø 11/16" ID INSERTS



4X Ø 1" THRU ALL  
FOR Ø 11/16" ID INSERTS

- NOTES:
1. ULTIMATE LOAD RATINGS
    1. VERTICAL (2-POSITION): 7200 LBF
    2. VERTICAL (4-POSITION): 5400 LBF

This drawing contains confidential information that is the property of MacLean Power, L.L.C. ("MPS"). Use of MacLean's confidential information without MPS's express written consent is strictly prohibited and may expose you to legal liability. If you believe that you received this material in error, please destroy it or return it to "MPS, 481 Munn Rd East, Fort Mill, SC 29715, USA."

UNLESS OTHERWISE SPECIFIED DIMENSIONS ARE IN : INCHES	
XX	+/- 1/4
X/XX	+/- 1/32
ANGLES	+/- 1DEG

SCALE 1:12.5 DO NOT SCALE SHEET

CATALOG NO:	PW08ST003-CR-I
PART NO:	
CID NO:	
WEIGHT:	43 LBS

DESCRIPTION:	PW TANGENT CROSSARM, 8 FT LG, CR, INSERTS
ENG APR:	PNR
DATE:	3/13/26

481 Munn Rd East, Fort Mill, SC 29715  
WWW.MACLEANPOWER.COM

PAGE 1 OF 1	ORIGINAL DATE: 3/13/26
DRAWING NUMBER: 3003-524C	