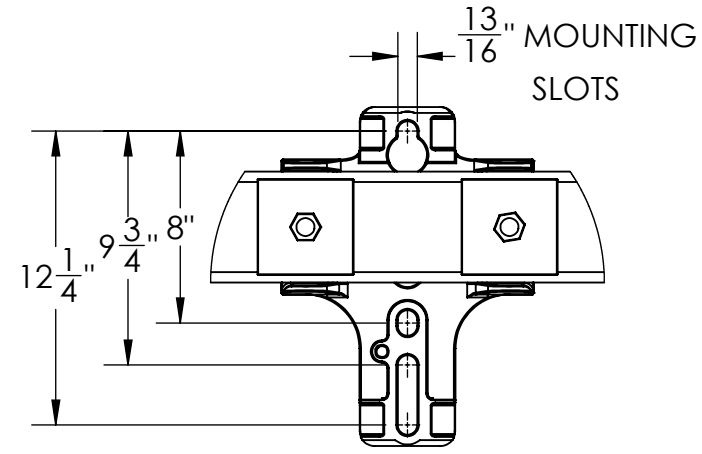
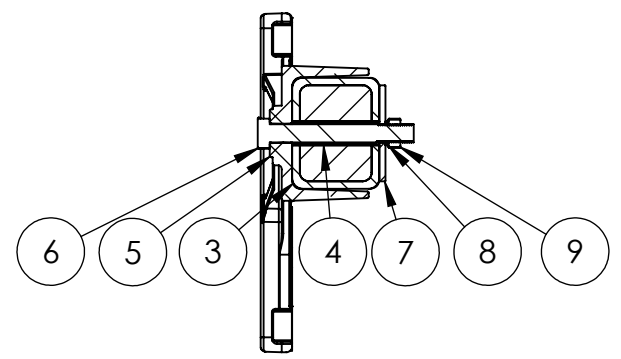


| | | | |
|------------|--------|------------------|------------|
| PAPER SIZE | | DRAWING NUMBER | |
| B | | 3003-529C | |
| REVISIONS | | | |
| REV. | ECO BY | ECO DATE | ECO NUMBER |

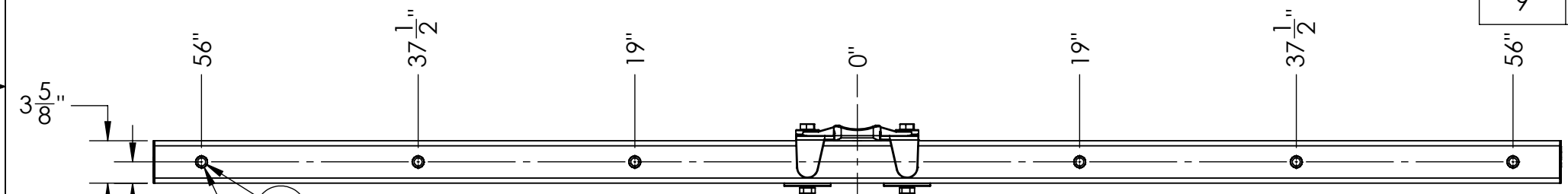


DETAIL A
SCALE 1 : 8

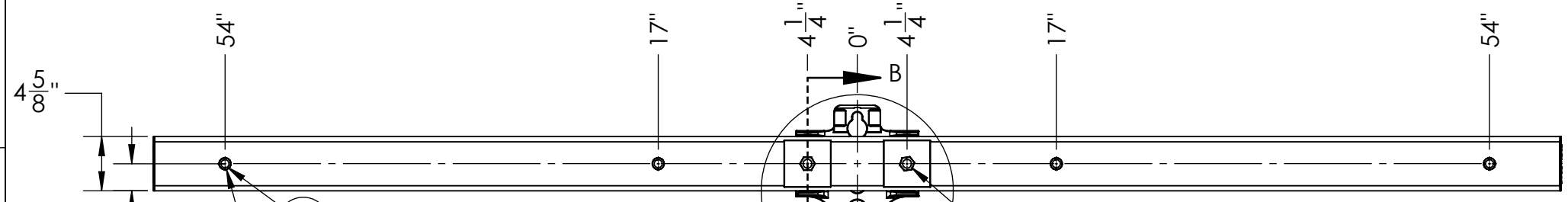


SECTION B-B
SCALE 1 : 8

| ITEM NO. | PART NUMBER | DESCRIPTION | QTY. |
|----------|-------------|---|------|
| 1 | P72066F | 11/16 POLYMER INSERT 4.625 IN LG | 6 |
| 2 | P72066B | 11/16 POLYMER INSERT 3.625 IN LG | 4 |
| 3 | P90010WC | PW FOAMED TUBE, 120" LG, CR | 1 |
| 4 | P72082B | 13/16 POLYMER BASE INSERT 3.625 IN LG | 2 |
| 5 | P72087 | HD FLANGED TANGENT BASE, 13/16 MOUNTING, ALUMINUM | 1 |
| 6 | P120040 | 3/4" x 6" BOLT 316 SS | 2 |
| 7 | P120033 | 4" x 4" SQUARE WASHER W/ 13/16" HOLE 304 SS | 2 |
| 8 | P120029 | 3/4" LOCKWASHER 304 SS | 2 |
| 9 | P120041 | 3/4 - 10 HEX NUT, 316 SS | 2 |



6X Ø 1" THRU ALL
FOR Ø 11/16" ID INSERTS



4X Ø 1" THRU ALL+
FOR Ø 11/16" ID INSERTS

2X Ø 1" THRU ALL

- NOTES:
1. ULTIMATE LOAD RATINGS
 1. VERTICAL (2-POSITION): 5700 LBF
 2. VERTICAL (4-POSITION): 4250 LBF
 3. VERTICAL (6-POSITION): 2800 LBF

This drawing contains confidential information that is the property of MacLean Power, L.L.C. ("MPS"). Use of MacLean's confidential information without MPS's express written consent is strictly prohibited and may expose you to legal liability. If you believe that you received this material in error, please destroy it or return it to "MPS, 481 Munn Rd East, Fort Mill, SC 29715, USA."

UNLESS OTHERWISE SPECIFIED
DIMENSIONS ARE IN : INCHES
XX +/- 1/4
X/XX +/- 1/32
ANGLES +/- 1DEG
SCALE 1:12.5 DO NOT SCALE SHEET

CATALOG NO: PW10ST005-SSCR-I
PART NO:
CID NO:
WEIGHT: 52 LBS

DESCRIPTION: PW TANGENT CROSSARM, 10 FT LG, SS HW, CR, INSERTS
ENG APR: PNR
DATE: 3/13/26



PAGE 1 OF 1 ORIGINAL DATE: 3/13/26
DRAWING NUMBER: 3003-529C