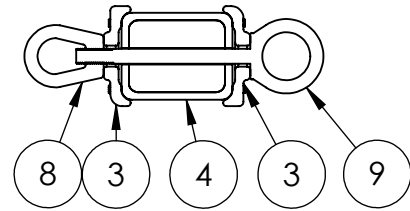
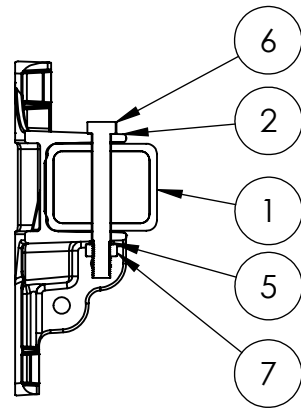


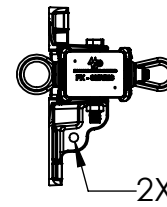
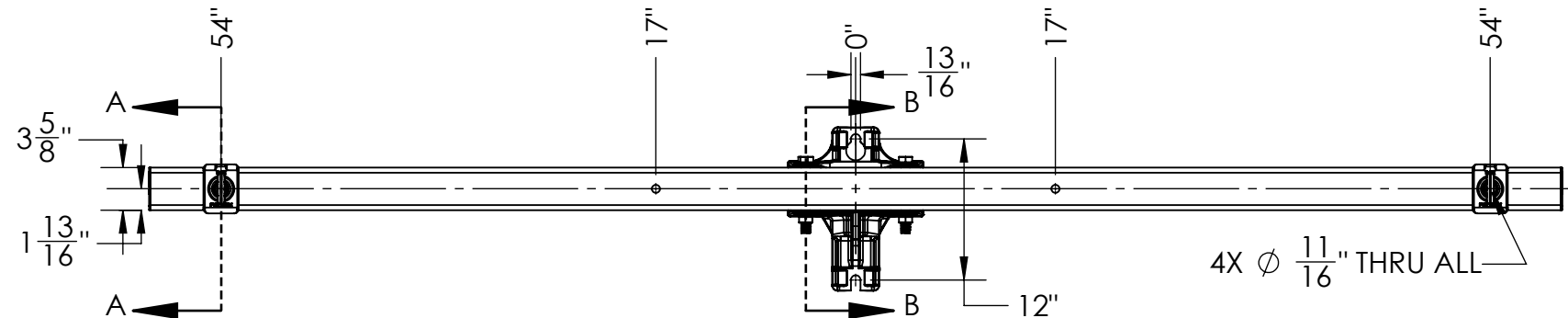
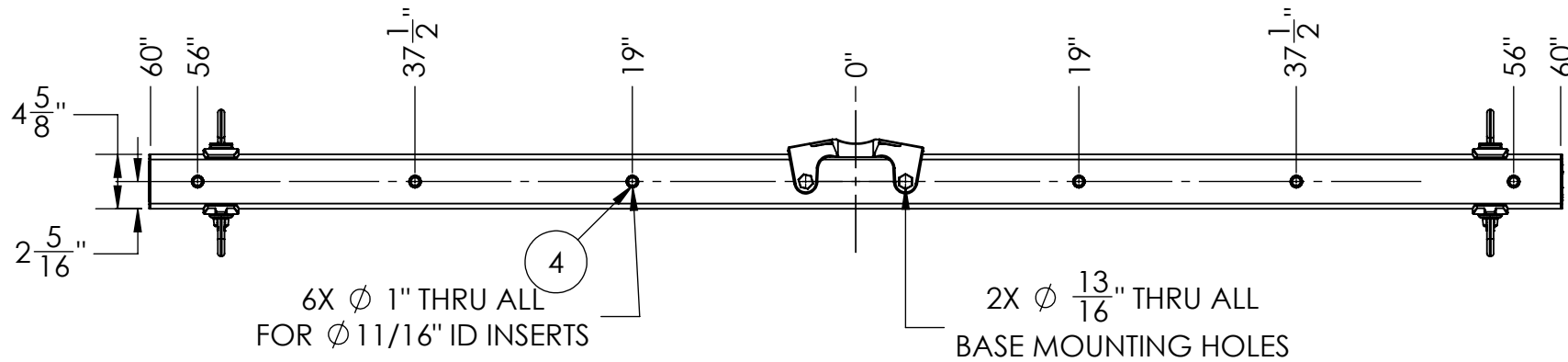
PAPER SIZE		DRAWING NUMBER	
B		3004-222C	
REVISIONS			
REV.	ECO BY	ECO DATE	ECO NUMBER



SECTION A-A
SCALE 1 : 8
EYE ASSEMBLY



SECTION B-B
SCALE 1 : 8
MOUNTING BRACKET ASSEMBLY



NOTES:

1. ULTIMATE LOAD RATINGS:
 1. LONGITUDINAL (2-POSITION): 7,950 LBS
 2. VERTICAL (2-POSITION): 3475 LBS
 3. TRANSVERSE: 9800 LBS
 4. GUY RATING:
 1. SINGLE HOLE: 21,000 LBS
 2. DUAL HOLE: 24,000 LBS

ITEM NO.	PART NUMBER	DESCRIPTION	QTY.
1	P80008WC	PW FOAMED TUBE, 120" LG	1
2	P60109	LD DEADEND BASE, ALUMINUM, W/TWO GUY HOLES	1
3	P66000	STD 5/8" CROSSARM WASHER, SMALL PROFILE	4
4	P72066B	11/16 POLYMER INSERT 3.625 IN LG	6
5	P120029	3/4" LOCKWASHER, 304 SS	2
6	P120040	3/4" x 6" BOLT 316 SS	2
7	P120041	3/4 - 10 HEX NUT, 316 SS	2
8	P120038	5/8" OVAL EYE NUT, 316 SS	2
9	P120039	5/8" OVAL EYE SHOULDER BOLT, 7.25" LG 316 SS	2

This drawing contains confidential information that is the property of MacLean Power, L.L.C. ("MPS"). Use of MacLean's confidential information without MPS's express written consent is strictly prohibited and may expose you to legal liability. If you believe that you received this material in error, please destroy it or return it to "MPS, 481 Munn Rd East, Fort Mill, SC 29715, USA."

UNLESS OTHERWISE SPECIFIED DIMENSIONS ARE IN: INCHES	
XX	+/- 1/4
X/XX	+/- 1/32
ANGLES	+/- 1DEG
SCALE 1:15 DO NOT SCALE SHEET	

CATALOG NO:	PW10LD005-2E-SSCRI
PART NO:	
CID NO:	
WEIGHT:	56 LBS

DESCRIPTION:	PW DEADEND CROSSARM, 10 FT LG, 2 EYES, SS HW, CR
ENG APR:	prollins
DATE:	3/16/26

MacLeanTM
POWER SYSTEMS
481 Munn Rd East, Fort Mill, SC 29715
WWW.MACLEANPOWER.COM

PAGE 1 OF 1	ORIGINAL DATE: 3/16/26
DRAWING NUMBER: 3004-222C	