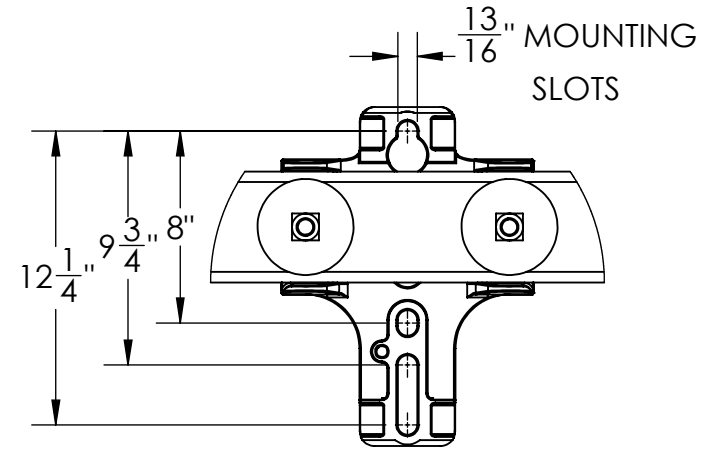
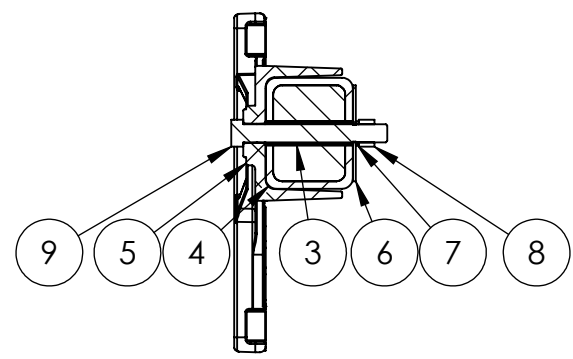


PAPER SIZE		DRAWING NUMBER	
B		2018-011C	
REVISIONS			
REV.	ECO BY	ECO DATE	ECO NUMBER

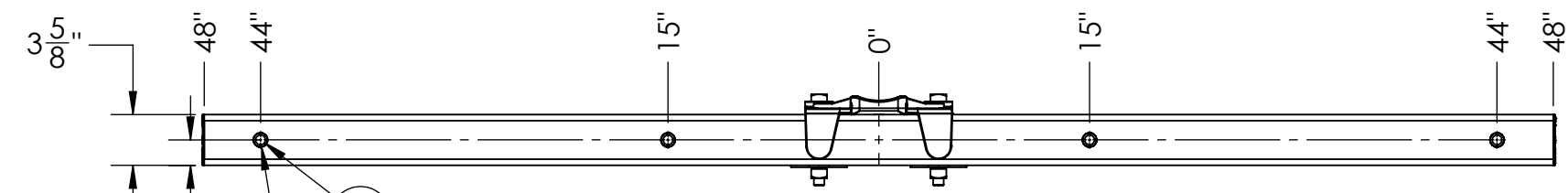


DETAIL A
SCALE 1 : 8

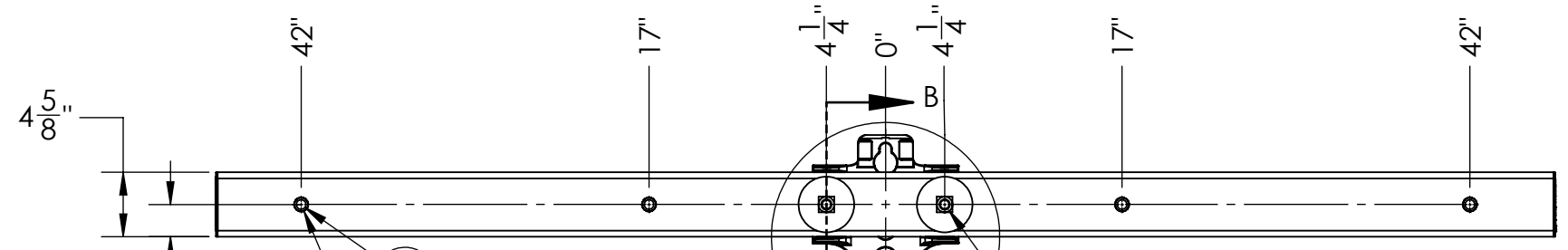


SECTION B-B
SCALE 1 : 8

ITEM NO.	PART NUMBER	DESCRIPTION	QTY.
1	P72066F	11/16 POLYMER INSERT 4.625 IN LG	4
2	P72066B	11/16 POLYMER INSERT 3.625 IN LG	4
3	P72082B	13/16 POLYMER BASE INSERT 3.625 IN LG	2
4	P90008TC	PT FOAMED TUBE, 96" LG, CR	1
5	P72087	HD FLANGED TANGENT BASE, 13/16 MOUNTING, ALUMINUM	1
6	P72051	13/16" ID 4" ROUND WASHER, GALVANIZED	2
7	F338983	3/4" LOCKWASHER, HDG	2
8	P42223	NUT, SQ, 3/4-10 HDG	2
9	P42120	3/4-10 x 6" HDG BOLT, SQ HEAD, GRADE 2	2



4X ϕ 1" THRU ALL
FOR ϕ 11/16" INSERTS



4X ϕ 1" THRU ALL
FOR ϕ 11/16" ID INSERTS

2X ϕ 1" THRU ALL

- NOTES:
- ULTIMATE LOAD RATINGS
 - VERTICAL (2-POSITION): 6000 LBF
 - VERTICAL (4-POSITION): 4400 LBF

This drawing contains confidential information that is the property of MacLean Power, L.L.C. ("MPS"). Use of MacLean's confidential information without MPS's express written consent is strictly prohibited and may expose you to legal liability. If you believe that you received this material in error, please destroy it or return it to "MPS, 481 Munn Rd East, Fort Mill, SC 29715, USA."

UNLESS OTHERWISE SPECIFIED
DIMENSIONS ARE IN: INCHES

XX	+/- 1/4
X/XX	+/- 1/32
ANGLES	+/- 1DEG

SCALE 1:12.5 DO NOT SCALE SHEET

CATALOG NO: **PT08ST003-CR-I**

PART NO:

CID NO:

WEIGHT: **37 LBS**

DESCRIPTION:
PT TANGENT CROSSARM, 8 FT LG, CR, INSERTS

ENG APR: PNR DATE: 3/13/26



PAGE 1 OF 1 ORIGINAL DATE: 3/13/26

DRAWING NUMBER: **2018-011C**