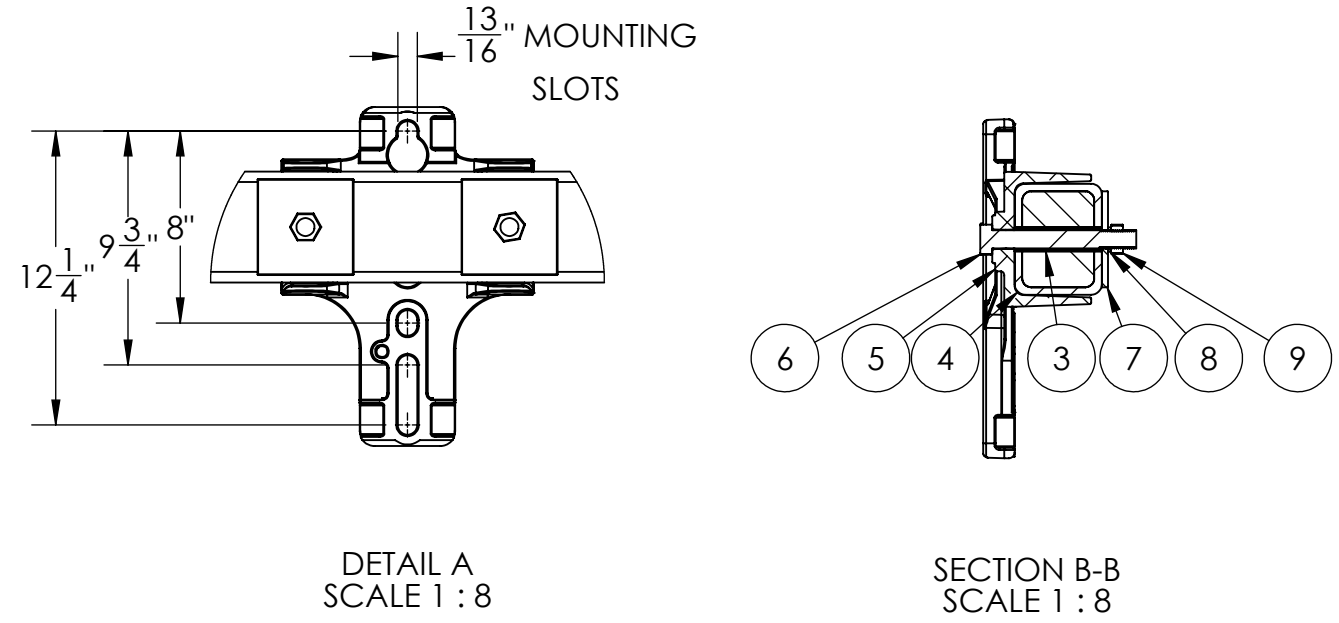
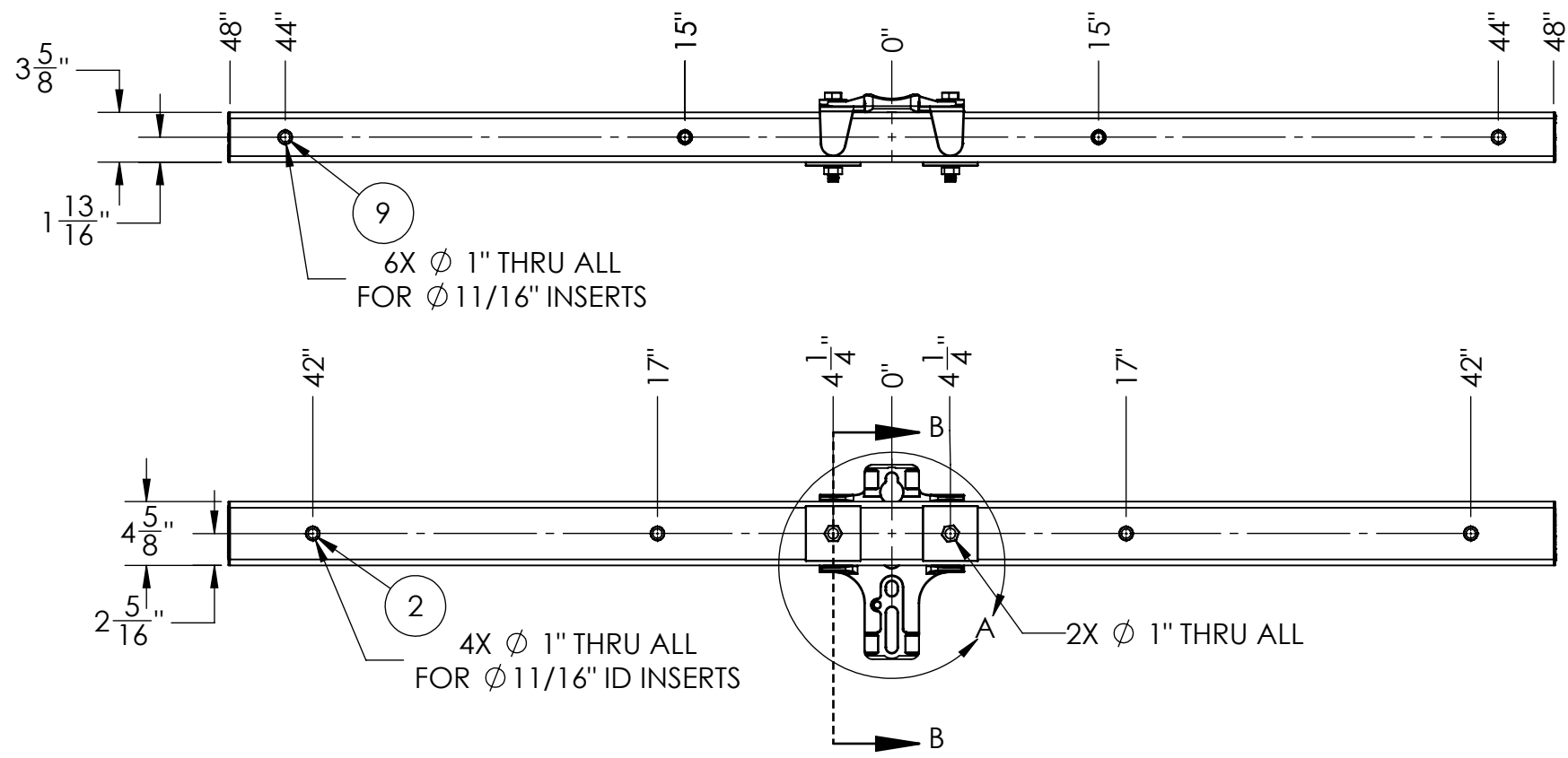


PAPER SIZE		DRAWING NUMBER	
B		2018-014C	
REVISIONS			
REV.	ECO BY	ECO DATE	ECO NUMBER



ITEM NO.	PART NUMBER	DESCRIPTION	QTY.
1	P72066F	11/16 POLYMER INSERT 4.625 IN LG	6
2	P72066B	11/16 POLYMER INSERT 3.625 IN LG	4
3	P72082B	13/16 POLYMER BASE INSERT 3.625 IN LG	2
4	P90008TC	PT FOAMED TUBE, 96" LG, CR	1
5	P72087	HD FLANGED TANGENT BASE, 13/16 MOUNTING, ALUMINUM	1
6	P120040	3/4" x 6" BOLT 316 SS	2
7	P120033	4" x 4" SQUARE WASHER W/ 13/16" HOLE 304 SS	2
8	P120029	3/4" LOCKWASHER 304 SS	2
9	P120041	3/4 - 10 HEX NUT, 316 SS	2



NOTES:
 1. ULTIMATE LOAD RATINGS
 1. VERTICAL (2-POSITION): 6000 LBF
 2. VERTICAL (4-POSITION): 4400 LBF

This drawing contains confidential information that is the property of MacLean Power, L.L.C. ("MPS"). Use of MacLean's confidential information without MPS's express written consent is strictly prohibited and may expose you to legal liability. If you believe that you received this material in error, please destroy it or return it to "MPS, 481 Munn Rd East, Fort Mill, SC 29715, USA."

UNLESS OTHERWISE SPECIFIED DIMENSIONS ARE IN: INCHES		CATALOG NO:	DESCRIPTION:	
XX	+/- 1/4	PT08ST003-SSCR-I	PT TANGENT CROSSARM, 8 FT LG, SS HW, CR, INSERTS	
X/XX	+/- 1/32	PART NO:		
ANGLES	+/- 1DEG	CID NO:	ENG APR: PNR	DATE: 3/13/26
SCALE 1:12.5 DO NOT SCALE SHEET		WEIGHT:	37 LBS	

MacLean
POWER SYSTEMS
481 Munn Rd East, Fort Mill, SC 29715
WWW.MACLEANPOWER.COM

PAGE 1 OF 1	ORIGINAL DATE: 3/13/26
DRAWING NUMBER: 2018-014C	