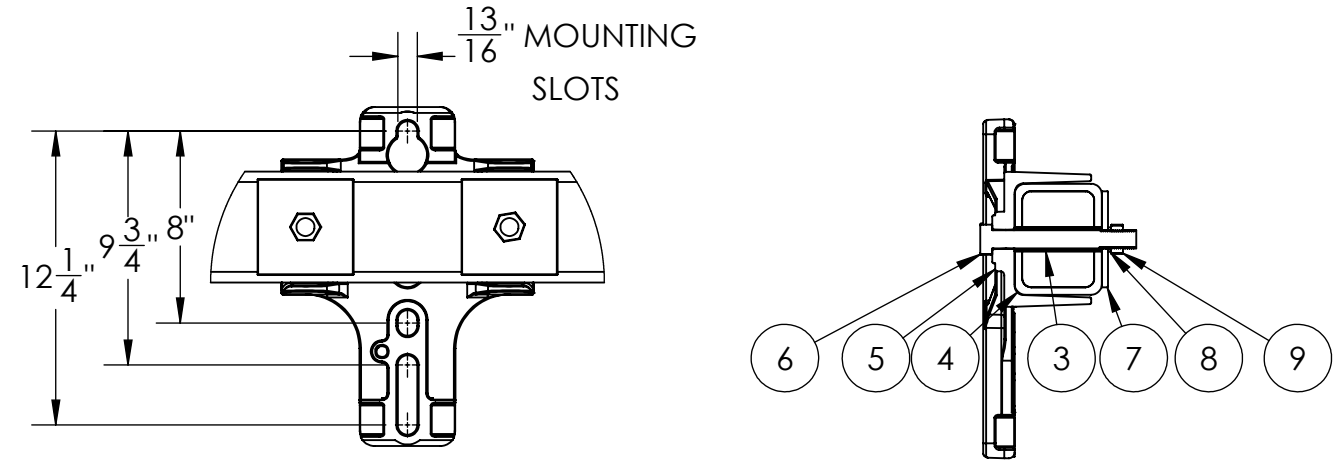


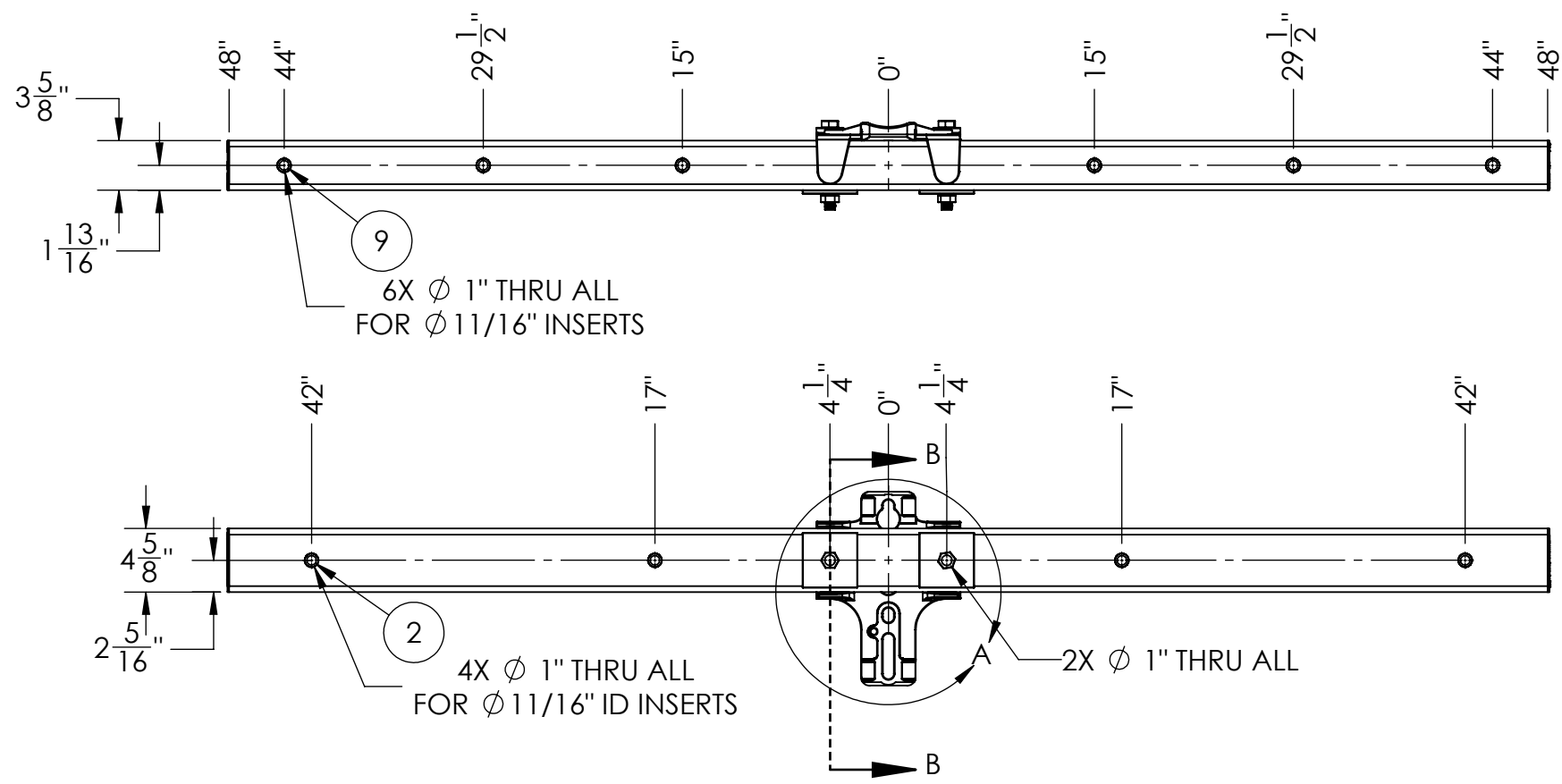
| | | | |
|------------|--------|------------------|------------|
| PAPER SIZE | | DRAWING NUMBER | |
| B | | 2018-015C | |
| REVISIONS | | | |
| REV. | ECO BY | ECO DATE | ECO NUMBER |



DETAIL A
SCALE 1 : 8

SECTION B-B
SCALE 1 : 8

| ITEM NO. | PART NUMBER | DESCRIPTION | QTY. |
|----------|-------------|---|------|
| 1 | P72066F | 11/16 POLYMER INSERT 4.625 IN LG | 6 |
| 2 | P72066B | 11/16 POLYMER INSERT 3.625 IN LG | 4 |
| 3 | P72082B | 13/16 POLYMER BASE INSERT 3.625 IN LG | 2 |
| 4 | P90008TC | PT FOAMED TUBE, 96" LG, CR | 1 |
| 5 | P72087 | HD FLANGED TANGENT BASE, 13/16 MOUNTING, ALUMINUM | 1 |
| 6 | P120040 | 3/4" x 6" BOLT 316 SS | 2 |
| 7 | P120033 | 4" x 4" SQUARE WASHER W/ 13/16" HOLE 304 SS | 2 |
| 8 | P120029 | 3/4" LOCKWASHER 304 SS | 2 |
| 9 | P120041 | 3/4 - 10 HEX NUT, 316 SS | 2 |



- NOTES:
1. ULTIMATE LOAD RATINGS
 1. VERTICAL (2-POSITION): 6000 LBF
 2. VERTICAL (4-POSITION): 4500 LBF
 3. VERTICAL (6-POSITION): 3000 LBF

This drawing contains confidential information that is the property of MacLean Power, L.L.C. ("MPS"). Use of MacLean's confidential information without MPS's express written consent is strictly prohibited and may expose you to legal liability. If you believe that you received this material in error, please destroy it or return it to "MPS, 481 Munn Rd East, Fort Mill, SC 29715, USA."

| | |
|---|----------|
| UNLESS OTHERWISE SPECIFIED DIMENSIONS ARE IN : INCHES | |
| XX | +/- 1/4 |
| X/XX | +/- 1/32 |
| ANGLES | +/- 1DEG |

SCALE 1:12.5 DO NOT SCALE SHEET

| | |
|-------------|------------------|
| CATALOG NO: | PT08ST004-SSCR-I |
| PART NO: | |
| CID NO: | |
| WEIGHT: | 37 LBS |

| | |
|--------------|--|
| DESCRIPTION: | PT TANGENT CROSSARM, 8 FT LG, SS HW, CR, INSERTS |
| ENG APR: | PNR |
| DATE: | 3/13/26 |

481 Munn Rd East, Fort Mill, SC 29715
WWW.MACLEANPOWER.COM

| | |
|---------------------------|------------------------|
| PAGE 1 OF 1 | ORIGINAL DATE: 3/13/26 |
| DRAWING NUMBER: 2018-015C | |