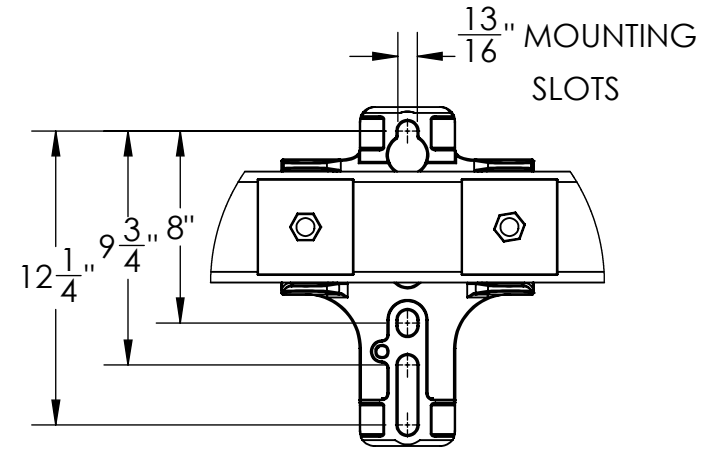
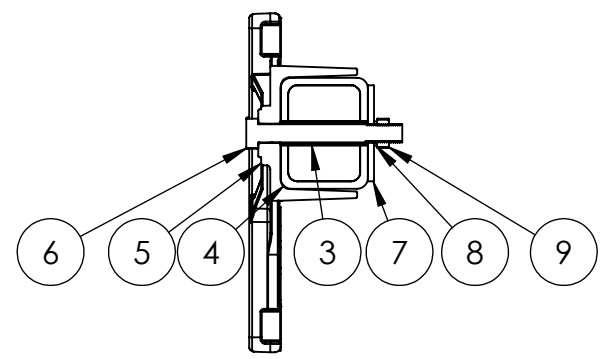


PAPER SIZE		DRAWING NUMBER	
B		2018-116C	
REVISIONS			
REV.	ECO BY	ECO DATE	ECO NUMBER

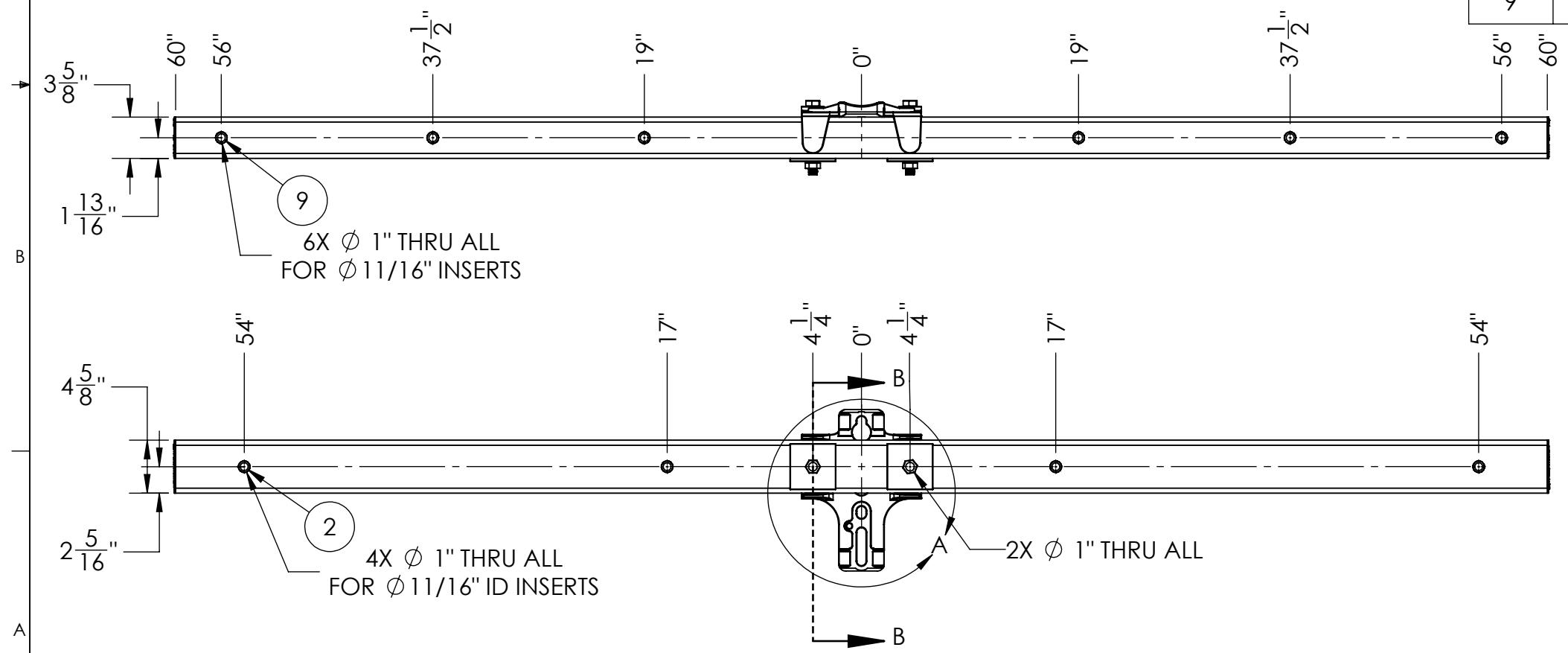


DETAIL A
SCALE 1 : 8



SECTION B-B
SCALE 1 : 8

ITEM NO.	PART NUMBER	DESCRIPTION	QTY.
1	P72066F	11/16 POLYMER INSERT 4.625 IN LG	6
2	P72066B	11/16 POLYMER INSERT 3.625 IN LG	4
3	P72082B	13/16 POLYMER BASE INSERT 3.625 IN LG	2
4	P90010TC	PT FOAMED TUBE, 12" LG, CR	1
5	P72087	HD FLANGED TANGENT BASE, 13/16 MOUNTING, ALUMINUM	1
6	P120040	3/4" x 6" BOLT 316 SS	2
7	P120033	4" x 4" SQUARE WASHER W/ 13/16" HOLE 304 SS	2
8	P120029	3/4" LOCKWASHER 304 SS	2
9	P120041	3/4 - 10 HEX NUT, 316 SS	2



- NOTES:
1. ULTIMATE LOAD RATINGS
 1. VERTICAL (2-POSITION): 5000 LBF
 2. VERTICAL (4-POSITION): 3750 LBF
 3. VERTICAL (6-POSITION): 2500 LBF

This drawing contains confidential information that is the property of MacLean Power, L.L.C. ("MPS"). Use of MacLean's confidential information without MPS's express written consent is strictly prohibited and may expose you to legal liability. If you believe that you received this material in error, please destroy it or return it to "MPS, 481 Munn Rd East, Fort Mill, SC 29715, USA."

UNLESS OTHERWISE SPECIFIED DIMENSIONS ARE IN : INCHES	
XX	+/- 1/4
X/XX	+/- 1/32
ANGLES	+/- 1DEG

SCALE 1:12.5 DO NOT SCALE SHEET

CATALOG NO:	PT10ST005-SSCR-I
PART NO:	
CID NO:	
WEIGHT:	45 LBS

DESCRIPTION:	PT TANGENT CROSSARM, 10 FT LG, SS HW, CR, INSERTS
ENG APR:	PNR
DATE:	3/13/26

481 Munn Rd East, Fort Mill, SC 29715
WWW.MACLEANPOWER.COM

PAGE 1 OF 1	ORIGINAL DATE: 3/13/26
DRAWING NUMBER: 2018-116C	