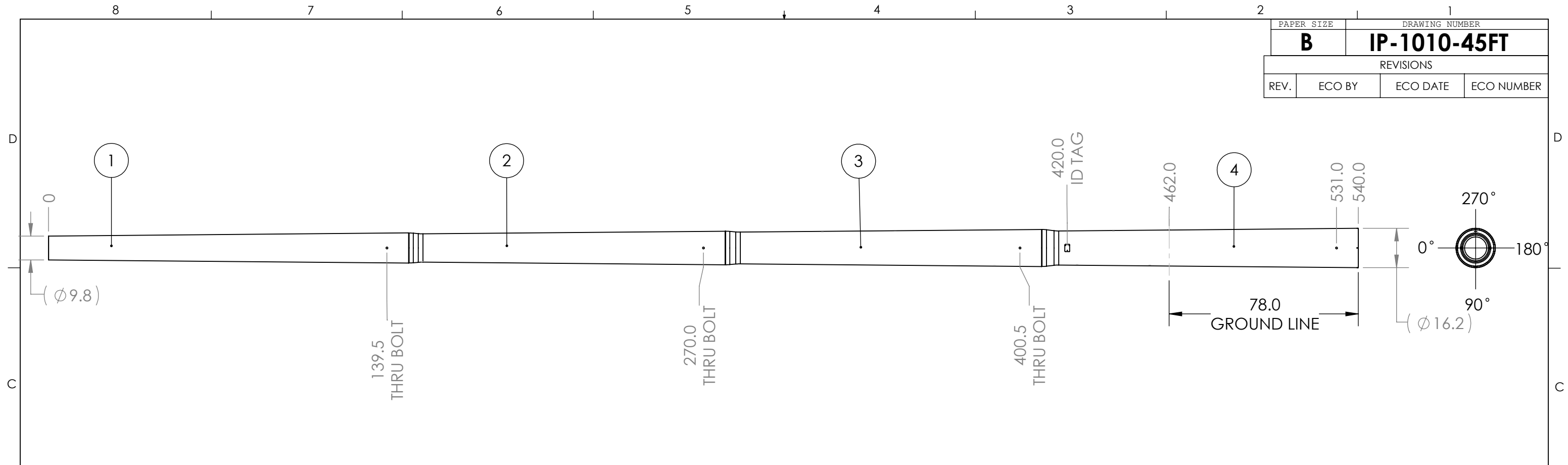


PAPER SIZE		DRAWING NUMBER	
B		IP-1010-45FT	
REVISIONS			
REV.	ECO BY	ECO DATE	ECO NUMBER



HOLE PATTERN					
LOC.	0°	90°	180°	270°	USE
139.5	3/4"		3/4"		DA BOLT
270	3/4"		3/4"		DA BOLT
400.5	3/4"		3/4"		DA BOLT
462				1"	GRND LN
531	3/4"		3/4"		DA BOLT

ITEM NO.	PART NUMBER	DESCRIPTION	QTY.
1	IP-200-0001	INTELLI-POLE SECTION No.1	1
2	IP-200-0002	INTELLI-POLE SECTION No.2	1
3	IP-200-0003	INTELLI-POLE SECTION No.3	1
4	IP-200-0004	INTELLI-POLE SECTION No. 4	1
5	IP-300-0002	BASEPLATE SECTION 4 (NOT SHOWN)	1
6	IP-300-0003	TOP CAP, SMALL	1
7	IP-300-0005	ID TAG	1
8	IP-INV-RIVET-125	RIVET 1/8" X 1/4"	3
9	J8866	DOUBLE ARMING BOLT 5/8"X16"	1
10	J8868	DOUBLE ARMING BOLT 5/8"X18"	2
11	J113	WASHER, SQUARE CURVED	6
12	IP-INV-SQCAP	CAP, SQUARE SHIPPING	6
13	IP-INV-PLUG-1INCH	1 INCH HOLE PLUG	39
14	IP-500-0006	SCREW, BASEPLATE	8

NOTES:

- BOM ITEMS 5, 6, 9-14 ARE INCLUDED IN SHIPMENT BUT NOT DISPLAYED HERE
- DOUBLE ARMING BOLTS TO BE ASSEMBLED AT JOINTS DURING INSTALLATION
- COLOR: DARK BROWN
- SEE INSTALLATION GUIDE FOR FIELD DRILLING GUIDELINES

This drawing contains confidential information that is the property of MacLean Power, L.L.C. ("MPS"). Use of MacLean's confidential information without MPS's express written consent is strictly prohibited and may expose you to legal liability. If you believe that you received this material in error, please destroy it or return it to "MPS, 481 Munn Rd East, Fort Mill, SC 29715, USA."

UNLESS OTHERWISE SPECIFIED DIMENSIONS ARE IN : INCHES	
XX	+/- 1/4
X/XX	+/- 1/32
ANGLES	+/- 1DEG

CATALOG NO:
IP-1010-45

PART NO:

CID NO:

WEIGHT:
LBS

DESCRIPTION:
INTELLI-POLE, 45' 4 SECTION MODULAR FIBERGLASS POLE, NO DRILL PATTERN



PAGE 1 OF 5 ORIGINAL DATE:
3/13/26

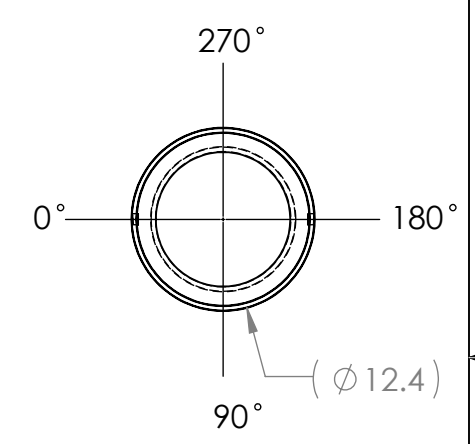
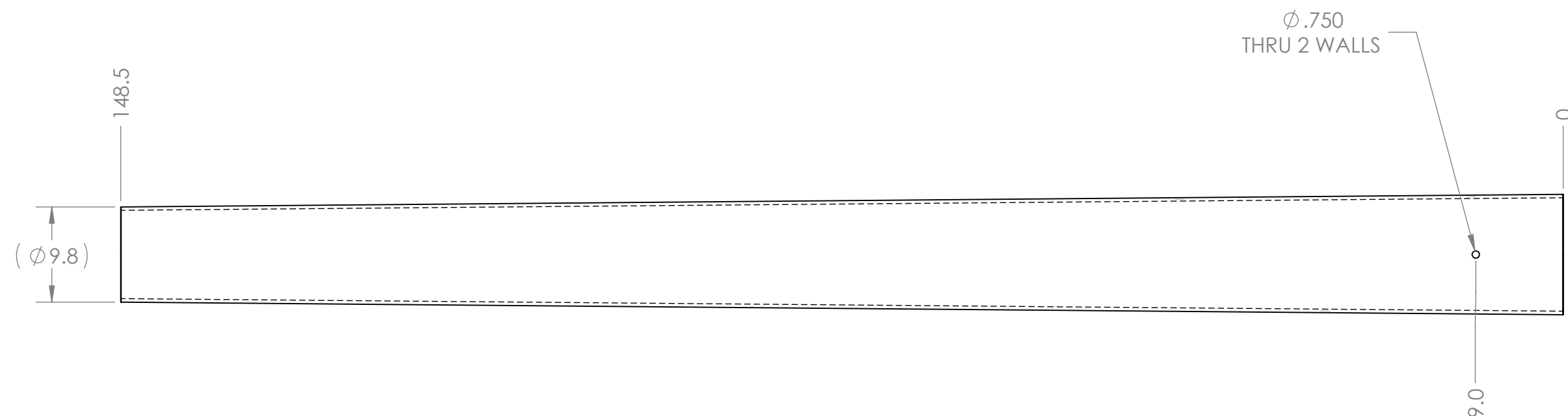
DRAWING NUMBER:
IP-1010-45FT

SCALE 1:100

DO NOT SCALE SHEET

ENG APR:

DATE:



LOC.	0°	90°	180°	270°	USE
9.0	3/4"		3/4"		DA BOLT

IP-200-0001 SHOWN

This drawing contains confidential information that is the property of MacLean Power, L.L.C. ("MPS"). Use of MacLean's confidential information without MPS's express written consent is strictly prohibited and may expose you to legal liability. If you believe that you received this material in error, please destroy it or return it to "MPS, 481 Munn Rd East, Fort Mill, SC 29715, USA."

UNLESS OTHERWISE SPECIFIED DIMENSIONS ARE IN : INCHES	
XX	+/- 1/4
X/XX	+/- 1/32
ANGLES	+/- 1DEG
SCALE 1:13 DO NOT SCALE SHEET	

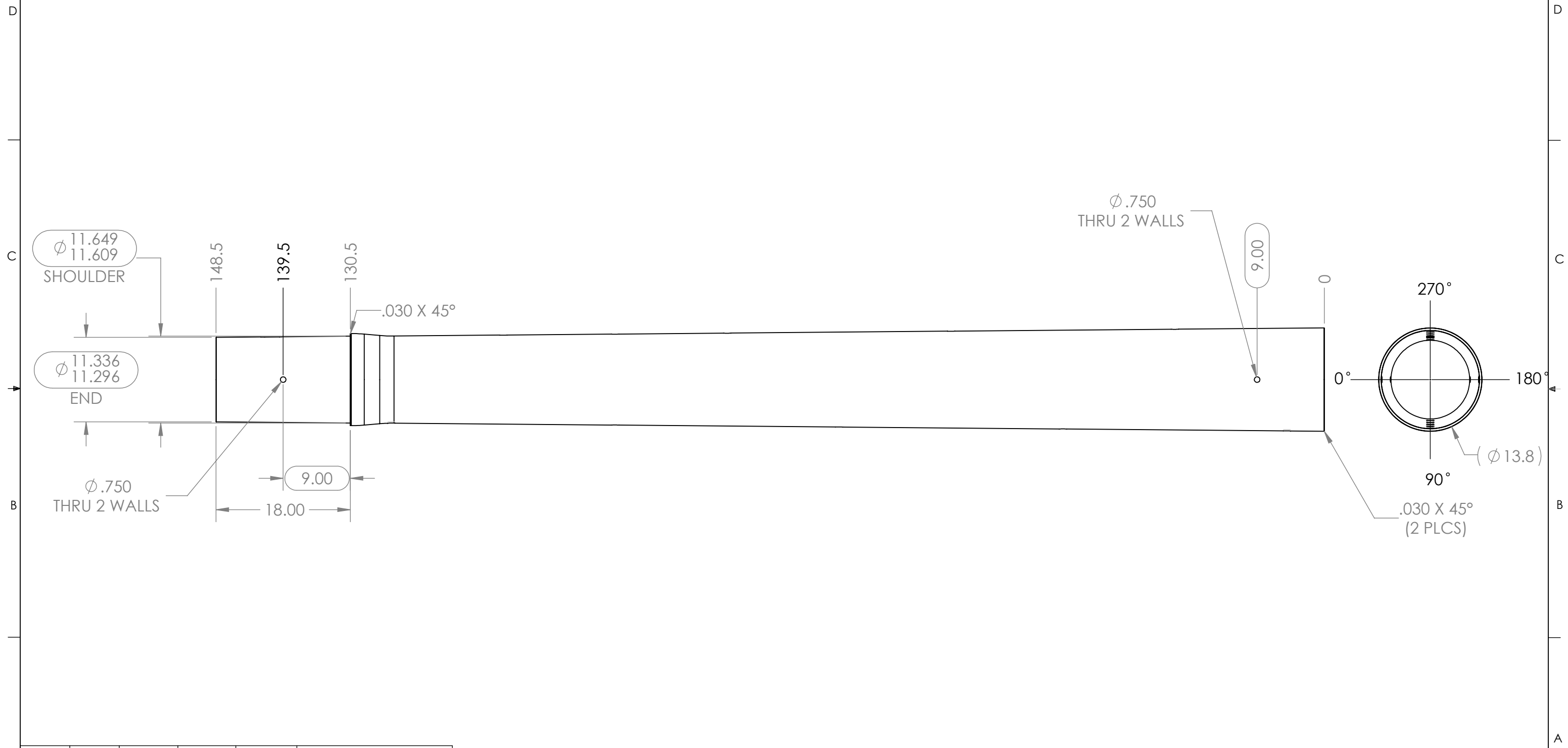
CATALOG NO: IP-1010-45	DESCRIPTION: INTELLI-POLE, 45' 4 SECTION MODULAR FIBERGLASS POLE, NO DRILL PATTERN
PART NO:	WEIGHT: LBS
CID NO:	ENG APR:
	DATE:

481 Munn Rd East, Fort Mill, SC 29715	WWW.MACLEANPOWER.COM
---------------------------------------	----------------------



PAGE 2 OF 5	ORIGINAL DATE: 3/13/26
DRAWING NUMBER: IP-1010-45FT	

NOTES:
 1) IF FIT CHECK GAUGE FAILS, MEASURE ACTUAL SIZE WITH PI TAPE.



LOC.	0°	90°	180°	270°	USE
9.0	3/4"		3/4"		DA BOLT
139.5	3/4"		3/4"		da bolt

IP-200-0002 SHOWN

This drawing contains confidential information that is the property of MacLean Power, L.L.C. ("MPS"). Use of MacLean's confidential information without MPS's express written consent is strictly prohibited and may expose you to legal liability. If you believe that you received this material in error, please destroy it or return it to "MPS, 481 Munn Rd East, Fort Mill, SC 29715, USA."

UNLESS OTHERWISE SPECIFIED
 DIMENSIONS ARE IN : INCHES

XX	+/- 1/4
X/XX	+/- 1/32
ANGLES	+/- 1DEG

SCALE 1:13 DO NOT SCALE SHEET

CATALOG NO:
IP-1010-45

PART NO:

CID NO:

WEIGHT:
LBS

DESCRIPTION:
 INTELLI-POLE, 45' 4 SECTION
 MODULAR FIBERGLASS POLE,
 NO DRILL PATTERN

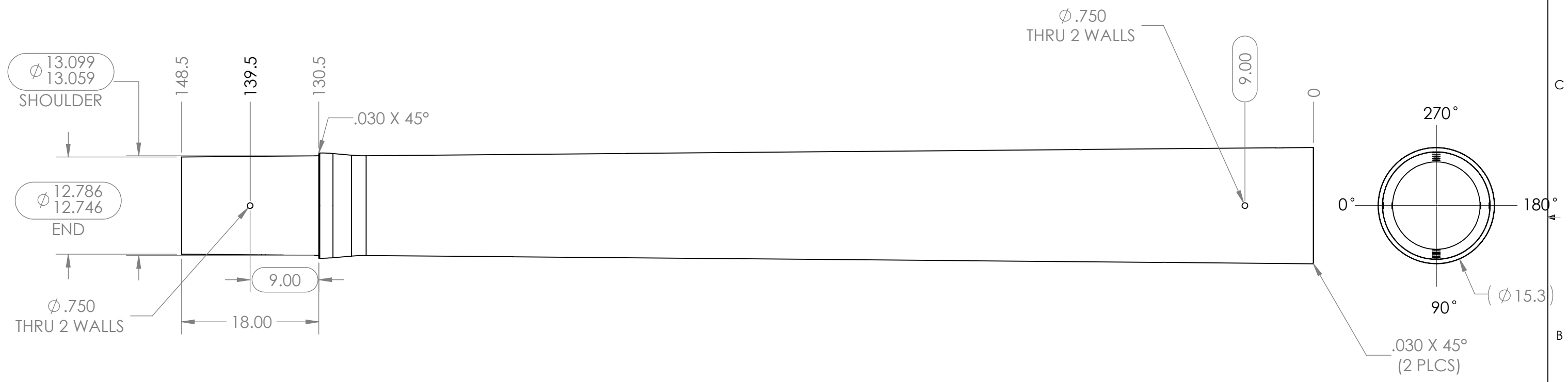
ENG APR: DATE:



PAGE 3 OF 5 ORIGINAL DATE:
3/13/26

DRAWING NUMBER:
IP-1010-45FT

NOTES:
 1) IF FIT CHECK GAUGE FAILS, MEASURE ACTUAL SIZE WITH PI TAPE.



LOC.	0°	90°	180°	270°	USE
9.0	3/4"		3/4"		DA BOLT
139.5	3/4"		3/4"		DA BOLT

IP-200-0003 SHOWN

This drawing contains confidential information that is the property of MacLean Power, L.L.C. ("MPS"). Use of MacLean's confidential information without MPS's express written consent is strictly prohibited and may expose you to legal liability. If you believe that you received this material in error, please destroy it or return it to "MPS, 481 Munn Rd East, Fort Mill, SC 29715, USA."

UNLESS OTHERWISE SPECIFIED DIMENSIONS ARE IN: INCHES	
XX	+/- 1/4
X/XX	+/- 1/32
ANGLES	+/- 1DEG
SCALE 1:13 DO NOT SCALE SHEET	

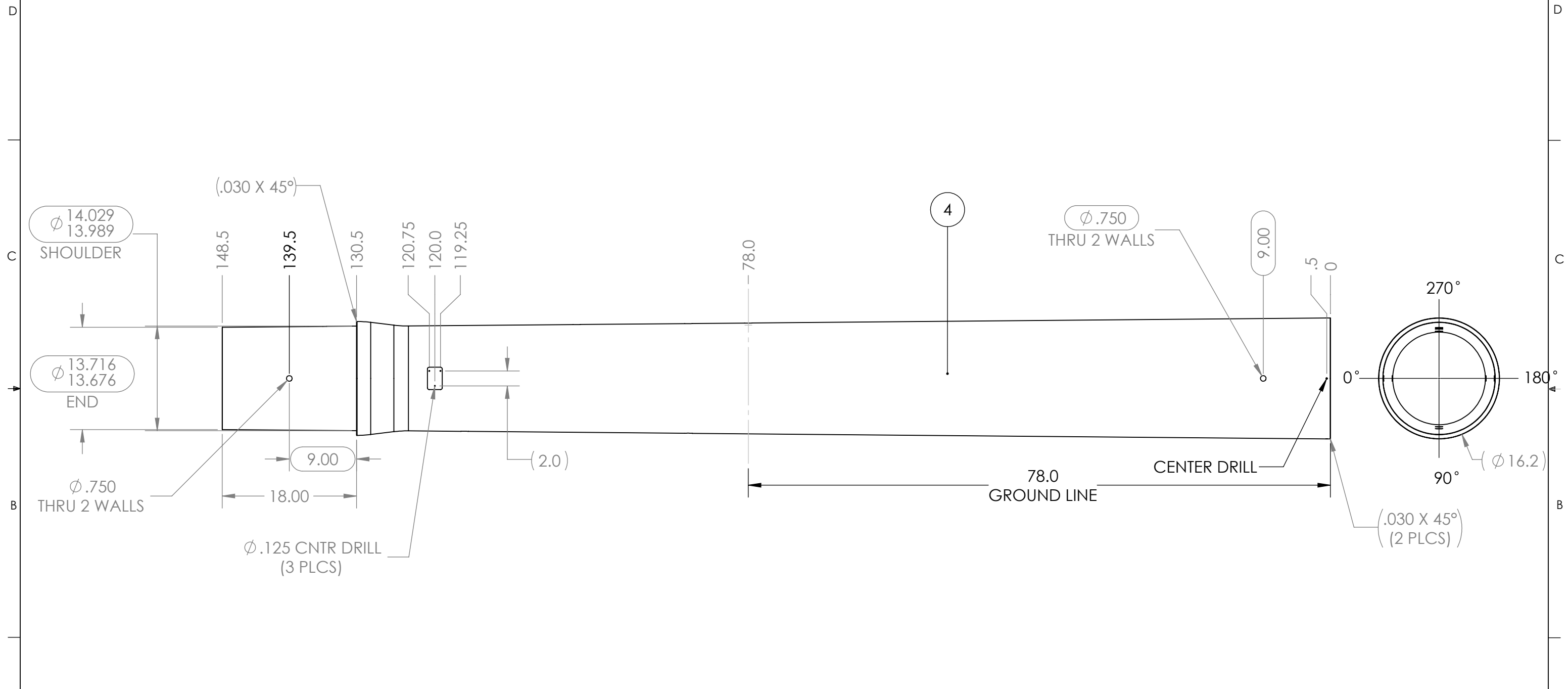
CATALOG NO: IP-1010-45	DESCRIPTION: INTELLI-POLE, 45' 4 SECTION MODULAR FIBERGLASS POLE, NO DRILL PATTERN
PART NO:	WEIGHT: LBS
CID NO:	ENG APR:
DATE:	

481 Munn Rd East, Fort Mill, SC 29715
 WWW.MACLEANPOWER.COM



PAGE 4 OF 5	ORIGINAL DATE: 3/13/26
DRAWING NUMBER: IP-1010-45FT	

NOTES:
 1) IF FIT CHECK GAUGE FAILS, MEASURE ACTUAL SIZE WITH PI TAPE.



LOC.	0°	90°	180°	270°	USE
0.5	CNTR	CNTR	CNTR	CNTR	SCREW PILOT
9.0	3/4"		3/4"		DA BOLT
78.0				1"	GRND LN
139.5	3/4"		3/4"		DA BOLT

IP-200-0004 SHOWN

This drawing contains confidential information that is the property of MacLean Power, L.L.C. ("MPS"). Use of MacLean's confidential information without MPS's express written consent is strictly prohibited and may expose you to legal liability. If you believe that you received this material in error, please destroy it or return it to "MPS, 481 Munn Rd East, Fort Mill, SC 29715, USA."

UNLESS OTHERWISE SPECIFIED DIMENSIONS ARE IN : INCHES	
XX	+/- 1/4
X/XX	+/- 1/32
ANGLES	+/- 1DEG
SCALE 1:13 DO NOT SCALE SHEET	

CATALOG NO: IP-1010-45	DESCRIPTION: INTELLI-POLE, 45' 4 SECTION MODULAR FIBERGLASS POLE, NO DRILL PATTERN
PART NO:	WEIGHT: LBS
CID NO:	ENG APR:
	DATE:

481 Munn Rd East, Fort Mill, SC 29715
 WWW.MACLEANPOWER.COM



PAGE 5 OF 5	ORIGINAL DATE: 3/13/26
DRAWING NUMBER: IP-1010-45FT	