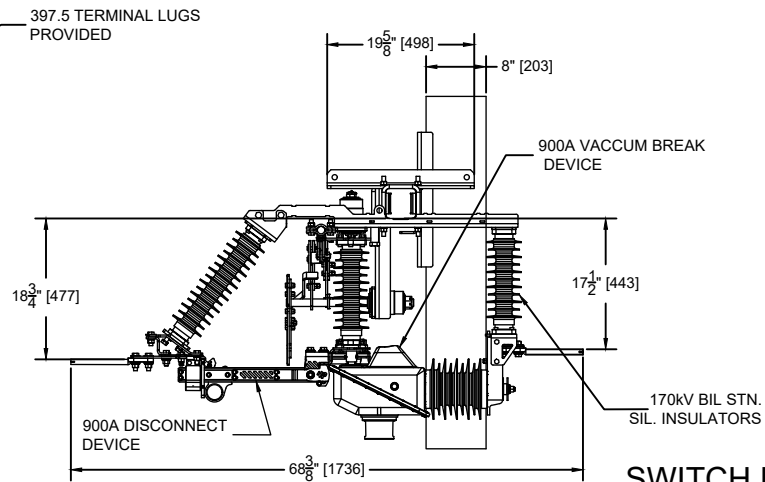
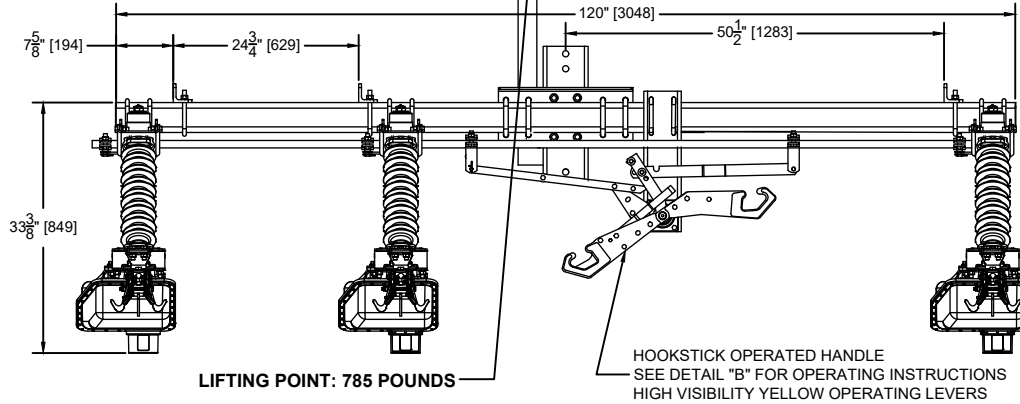


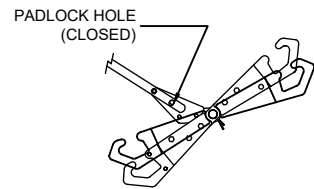
**DETAIL A**  
**MOUNTING BRACKET**

**NOTES**

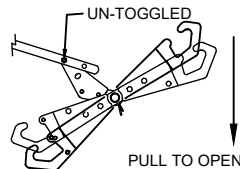
- UNLESS OTHERWISE SPECIFIED:
1. ALL DIMENSIONS IN INCHES AND (MILLIMETERS)
  2. DECIMAL DIMENSIONS TO X.XX = ± .25"
  3. DECIMAL DIMENSIONS TO X.XXX = ± .125"
  4. FRACTIONAL DIMENSIONS TO BE ± 1/8"
  5. ANGLES TO BE ± 2°



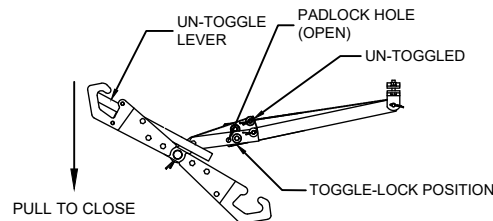
**SWITCH RATINGS**



① SWITCH CLOSED AND TOGGLE LOCKED



② SWITCH CLOSED AND UN-TOGGLED



③ SWITCH OPEN TOGGLED LOCKED AND UNLOCKED

**DETAIL A**  
**HOOKSTICK OPERATION**

MAXIMUM VOLTAGE: 27kV  
 B.I.L. RATING: 150KV  
 POWER FREQUENCY: 60HZ  
 CONTINUOUS CURRENT: 900A-RMS (IEEE-C37.30.1-2022)  
 FAULT CLOSE: 20KA RMS-ASYMETRICAL, 5X  
 MOMENTARY CURRENT: 33.0KA, 10 CYCLES  
 12.5KA, 3 SECONDS

SWITCHING CURRENT CAPABILITIES:  
 LOADBREAK CURRENT: 900A-RMS  
 PARALLEL BREAK CURRENT: 900A-RMS  
 CABLE CHARGING CURRENT: 25A-RMS  
 LINE CHARGING CURRENT: 5A-RMS  
 EARTH FAULT SWITCHING CURRENT: 78A-RMS

MECHANICAL CYCLE LIFE: 1000 OPERATIONS  
 ELECTRICAL CYCLE LIFE: 1000 OPERATIONS  
 SWITCH LIFTING WEIGHT: 785 LBS.

THIS IS A PROPRIETARY AND CONFIDENTIAL DOCUMENT OF INERTIA ENGINEERING AND MACHINE WORKS INC., STOCKTON CA. THIS DOCUMENT CANNOT BE COPIED IN WHOLE OR IN PART WITHOUT THE EXPRESS PERMISSION OF INERTIA ENGINEERING. THE DOCUMENT IS PROTECTED BY US FEDERAL COPYRIGHT LAW.



SWITCH DESCRIPTION		CONSTRUCTION DRAWING		
SWITCH# VD29SSUG3J78 LineBOSS-VX-VA, 25Kv, 900A IEEE-IEC.		DATE: 03/24/26	SCALE: NTS	DRAWN BY: BC
INSTALLATION OF GANG OPERATED VACUUM BOTTLE (GOVB), W/ DISCONNECT, HOOKSTICK OPERATED CONTROL		DRAWING NO.	REVISION NO.	
		<b>9763-02</b>	<b>00</b>	

REV. #	EC#	REVISION DESCRIPTION	DATE	BY
00	00	INITIAL RELEASE	03/24/26	BC

**REVISIONS**