

FIG. 1

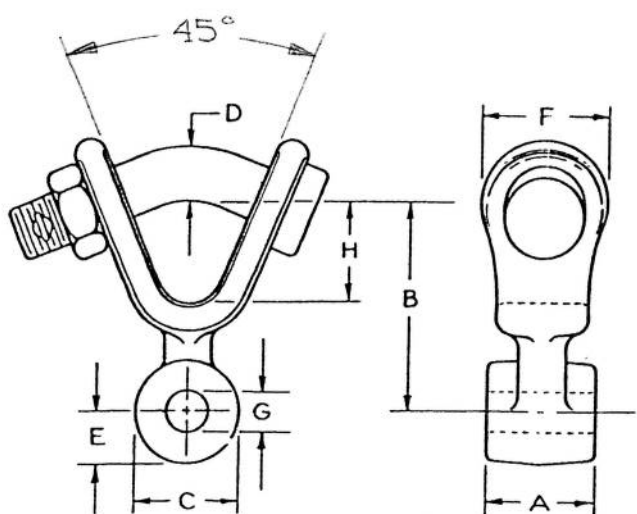


FIG. 2

Ductile Iron - Hot Dip Galvanized

CATALOG NUMBER	ULTIMATE STRENGTH POUNDS	FIG. NO.	DIMENSIONS IN INCHES								WGT. LBS. PER C.
			A	B	C	D	E	F	G	H	
RYCE-65-500	15,000	2	1/2	3 1/2	1 3/4	3/4	7/8	2	11/16	1 3/4	200
RYCE-65-625	19,000	2	5/8	3 1/2	1 5/8	3/4	13/16	2	11/16	1 3/4	205
RYCE-65-625A	30,000	1	5/8	2 5/8	2 1/8	3/4	15/16	2 1/8	11/16	1 13/16	220
RYCE-65-750	30,000	1	3/4	2 5/8	2 1/8	3/4	15/16	2 1/8	11/16	1 13/16	240
RYCE-65-1000	30,000	2	1	2 9/16	1 7/8	3/4	15/16	2 1/8	11/16	1 3/4	260
RYCE-65-1062	30,000	2	1 1/16	2 1/2	1 9/16	3/4	13/16	2	11/16	1 3/4	275
RYCE-65-1250	30,000	2	1 1/4	2 7/16	1 5/8	3/4	13/16	2 3/16	11/16	1 9/16	280
RYCE-65-1750	30,000	2	1 3/4	2 9/16	1 3/4	3/4	13/16	2 1/8	11/16	2	285
RYCE-65-2000	30,000	2	2	2 9/16	1 3/4	3/4	3/4	2 1/8	11/16	1 9/16	295
RYCE-65-2187	30,000	2	2 3/16	2 5/8	1 5/8	3/4	13/16	2	11/16	1 3/4	305
RYCE-65-2500	30,000	2	2 1/2	2 5/8	1 5/8	3/4	13/16	2	11/16	1 5/8	310
RYCE-65-3250	30,000	2	3 1/4	2 3/4	1 7/8	3/4	13/16	2 1/4	11/16	2	410
RYCE-65-3250A	30,000	2	3 1/4	2 5/8	1 5/8	3/4	13/16	2	11/16	1 3/4	415
RYCE-66-1000	30,000	2	1	2 9/16	1 7/8	3/4	15/16	2 1/8	13/16	1 3/4	260
RYCE-66-2125	40,000	2	2 1/8	2 1/2	1 3/4	3/4	3/4	2 1/4	13/16	1 3/4	305
RYCE-66-3250	40,000	2	3 1/4	2 5/8	1 11/16	3/4	7/8	2 1/4	13/16	1 3/4	410
RYCE-66-2750	30,000	2	2 3/4	2 1/2	1 3/4	3/4	3/4	2 1/4	13/16	1 3/4	310
RYCE-66-3250A	36,000	2	3 1/4	2 3/4	1 7/8	3/4	13/16	2 1/4	13/16	2	415
RYCE-66-3250B	30,000	2	3 1/4	2 5/8	1 13/16	3/4	29/32	2	13/16	1 5/8	410
RYCE-66-2187	40,000	2	2 3/16	2 1/2	1 3/4	3/4	3/4	2 1/4	13/16	1 3/4	305
RYCE-66-2000	35,000	2	2	2 9/16	1 3/4	3/4	3/4	2 1/8	13/16	1 9/16	295
RYCE-66-1250	30,000	2	1 1/4	2 7/16	1 5/8	3/4	13/16	2 3/16	13/16	1 9/16	275
RYCE-77-3250	50,000	2	2 1/2	2 1/2	1 3/4	7/8	7/8	2 3/4	15/16	1 7/16	3.50
RYCE-76-2125	52,000	2	2 1/8	2 1/2	1 3/4	7/8	7/8	2 3/4	13/16	1 7/16	350
RYCE-76-2750	40,000	2	2 3/4	2 1/2	1 3/4	7/8	7/8	2 3/4	13/16	1 7/16	360
RYCE-66-875	30,000	2	7/8	3 1/2	2	3/4	1	2 1/8	13/16	1 3/4	275
RYCE-66-1062	25,000	2	1 1/16	2 1/2	1 9/16	3/4	13/16	2	13/16	1 3/4	2.70
RYCE-66-1750	30,000	2	1 3/4	2 9/16	1 3/4	3/4	13/16	2 1/8	13/16	2	2.85
RYCE-77-2500	45,000	2	2 1/2	2 1/2	1 3/4	7/8	7/8	2 3/4	15/16	1 7/16	3.50
17	1-28-82	ADDED RYCE-66-2187	JV	BC							
15	7-15-91	ADDED RYCE-66-2750 & 76-2750	JV	BC	16	10-2-91	RYCE-66-3250	ULT. STR. WAS 36,000	JV	BC	
13	10-3-89	ADDED 45° TO EARS	BI	BC	14	4-14-87	ADDED RYCE-77-2500.		BC		
11	9-1-83	RYCE-66-2125 ULT. WAS 30,000	BI	BC	12	4-27-84	RYCE-66-2125 ULT. STR. WAS 36,000 LBS		BI		
		E WAS 7/8", H WAS 1 9/16			10	8-26-81	ADDED RYCE-66-1750		YCP	JM	
7	2-6-80	RYCE-66-875. B WAS 2 1/2", C WAS 1 3/4.	BI	JM	9	8-3-81	ADDED RYCE-66-1062		BI	JM	
6	1-10-80	ADDED RYCE-66-875	BI	JM	8	7-14-80	FIG. 1 REDRAWN, REM. RYCE-76-750		BI	JM	
5	1-9-80	ULT. STR WAS 18,000 FOR RYCE 65-500	BI	JM	RELIABLE/BETHEA POWER PRODUCTS INC.						
4	8-24-79	ADDED RYCE-76-2125	BI	JM	PELHAM, ALABAMA						
3	8-17-79	ADDED RYCE-66-1250	BI	JM	TYPE RYCE						
2	4-12-79	ADDED RYCE-65-500	BI	JM	Y-Clevis Eye 90°						
1	2-15-76	ADDED RYCE-66-2000	BI	JM							
NO.	DATE	DESCRIPTION	BY	CKD	DATE: 1-16-79		SCALE: NONE		NO. A-225		R/ SH. 3 OF 3
REVISIONS					BI	BDJ	KS				