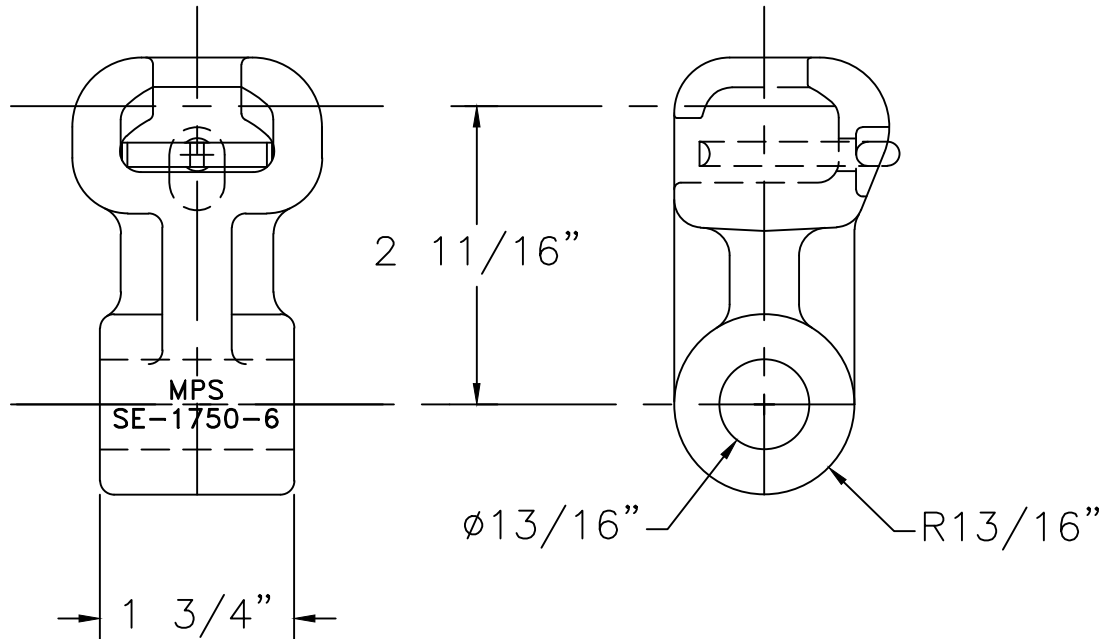


SOCKET IS FOR ANSI CLASS 52-5



NOTES:

1. MATERIAL:
  - A. BODY - DUCTILE IRON
  - B. COTTER PIN - AISI 302 STAINLESS STEEL
2. FINISH: HOT DIP GALVANIZED PER ASTM A153
3. ULTIMATE STRENGTH: 30,000 LBS.
4. WEIGHT: 1.97 LBS.

NO.	DATE	DESCRIPTION	BY	CKD



**MACLEAN POWER SYSTEMS**  
A Maclean-fogg Company

SOCKET EYE  
CATALOG NO. SE-1750-6

REVISIONS

DATE: 11/09/17	SCALE: NONE	NO. AC-0220-6	R/0	SH.1 OF 1
BY: WCL	BY: [ ]	BY: [ ]		