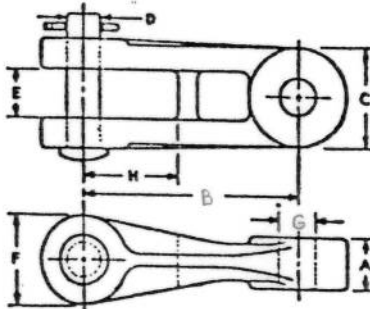


CLEVIS EYE 90° - Long



CATALOG NUMBER	ULTIMATE STRENGTH POUNDS	DIMENSIONS-INCHES								WGT. LBS. PER C.
		A	B	C	D	E	F	G	H	
RCEL-65-1250	30,000	1 1/4	5 1/2	1 3/4	3/4	1 1/8	2 1/8	11/16	2 5/16	340
RCEL-65-1375	30,000	1 3/8	5 1/2	1 3/4	3/4	1 1/8	2 1/8	11/16	2 5/16	340
RCEL-66-1250	40,000	1 1/4	5 1/2	1 3/4	3/4	1 1/8	2 1/8	13/16	2 5/16	340
RCEL-66-1375	40,000	1 3/8	5 1/2	1 3/4	3/4	1 1/8	2 1/8	13/16	2 5/16	340
RCEL-66-1500	40,000	1 1/2	5 1/2	1 15/16	3/4	1 1/8	1 15/16	13/16	2 1/8	340
RCEL-66-1625	40,000	1 5/8	5 1/2	1 3/4	3/4	1 1/8	2 1/8	13/16	2 5/16	355
RCEL-66-1750	45,000	1 3/4	5 1/2	1 3/4	3/4	1 1/8	2 1/4	13/16	2 5/16	365
RCEL-67-937	40,000	15/16	5 3/8	2 1/2	3/4	1 1/4	2 1/4	15/16	2 1/2	380
RCEL-67-1250	40,000	1 1/4	5 1/2	2 3/8	3/4	1	2 1/8	15/16	2 5/16	390
RCEL-67-1500	40,000	1 1/2	5 1/2	1 15/16	3/4	1 1/8	1 15/16	15/16	2 1/8	475
RCEL-68-1125	36,000	1 1/8	5 1/2	2 1/8	3/4	1 1/8	2 1/8	1 1/16	2 5/16	390
RCEL-68-1250	40,000	1 1/4	5 1/2	2 3/8	3/4	1	2 1/8	1 1/16	2 5/16	565
RCEL-68-1500	40,000	1 1/2	5 1/2	1 15/16	3/4	1 1/8	1 15/16	1 1/16	2 1/8	395
RCEL-69-1250	40,000	1 1/4	5 1/2	2 3/8	3/4	1	2 1/8	1 3/16	2 5/16	475
RCEL-77-937	50,000	15/16	5 3/8	2 1/2	7/8	1 1/4	2 1/4	15/16	2 1/2	550
RCEL-77-1250	60,000	1 1/4	5 1/2	2 5/8	7/8	1 3/8	2 1/2	15/16	2 3/4	555
RCEL-77-1625	60,000	1 5/8	5 1/2	2 1/4	7/8	15/16	2 1/2	15/16	2 3/4	560
RCEL-77-2000	60,000	2	5 1/2	2	7/8	1 3/8	2 1/2	15/16	2 3/4	570
RCEL-78-1250	60,000	1 1/4	5 1/2	2 5/8	7/8	1 3/8	2 1/2	1 1/16	2 3/4	555
RCEL-78-1625	60,000	1 5/8	5 1/2	2 1/4	7/8	15/16	2 1/2	1 1/16	2 3/4	560
RCEL-79-1250	60,000	1 1/4	5 1/2	2 5/8	7/8	1 3/8	2 1/2	1 3/16	2 3/4	555
RCEL-710-1250	60,000	1 1/4	5 1/2	2 3/4	7/8	1 3/8	2 1/2	1 5/16	2 3/4	555
RCEL-89-1250	30,000	1 1/4	5 1/2	2 3/8	5/8	1	2 1/8	1 3/16	2 5/16	475
RCEL-79-1500	60,000	1 1/2	5 1/2	2 1/4	7/8	1 1/8	2 1/2	1 3/16	2 3/4	555

FOR BOLT, NUT AND COTTER INSTEAD OF CLEVIS PIN AND COTTER, SPECIFY BY ADDING SUFFIX "-BC" TO CATALOG NUMBER.

CASTING: NODULAR IRON - HOT DIP GALVANIZED
 HARDWARE: STEEL - HOT DIP GALVANIZED
 COTTER PIN: 304 STAINLESS STEEL

				RELIABLE/BETHEA POWER PRODUCTS INC PELHAM, ALABAMA					
				CLEVIS EYE 90° LONG					
2	12-6-91	ADDED RCEL-79-1500	JV	BC					
1	12-14-84	ADDED RCEL-89-1250.	BC						
NO	DATE	DESCRIPTION	BY	CKD					
REVISIONS					DATE: 4-16-79	SCALE: NTS	NO. AC-6279	R/2	SH. 2 OF 4