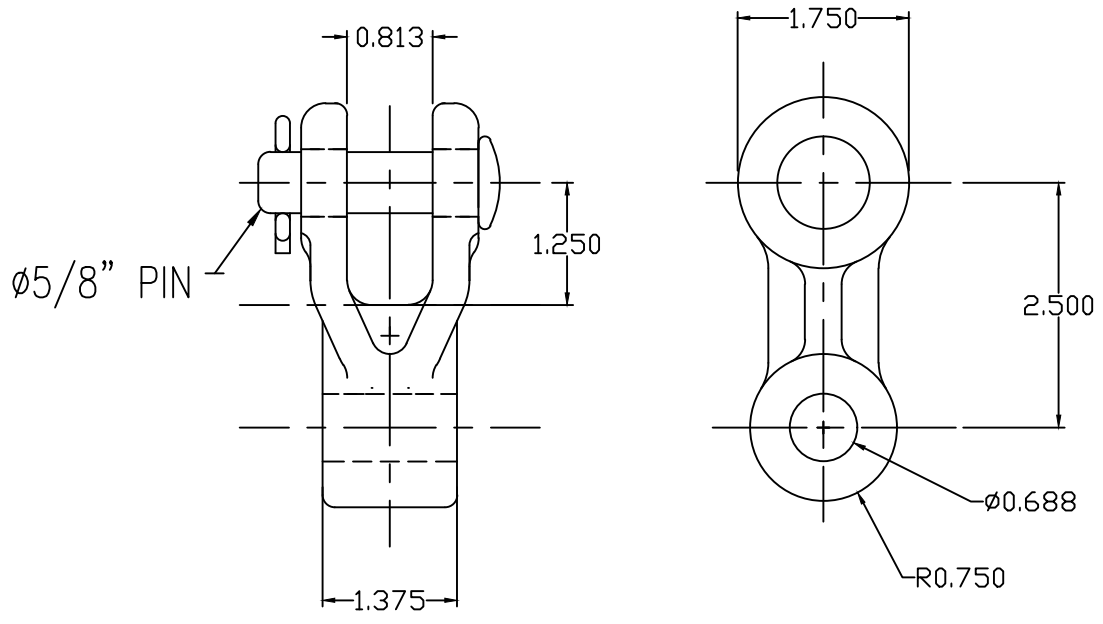


This information is confidential and is the property of Maclean Power Systems. It may not be made public or reproduced except that the Customer may make copies for use solely in installation, maintenance, and operation of products supplied by Maclean Power Systems.

NO. AC-6390-1



NOTES:

1. MATERIAL:
 - A. BODY - DUCTILE IRON
 - B. CLEVIS PIN - STEEL, PER ASTM A325 GR. 5
 - C. COTTER PIN - AISI 302 STAINLESS STEEL
2. FINISH: HOT DIP GALVANIZED PER ASTM A-153.
3. ULTIMATE STRENGTH: 30,000 LBS.
4. WEIGHT: 1.503 LBS.
5. FOR BOLT, NUT, & COTTER ADD SUFFIX "BC" TO CAT. NO.



CLEVIS EYE
CAT. NO. SCE-55-1375

NO.	DATE	DESCRIPTION	BY	CKD

REVISIONS

DATE: 07/05/17	SCALE:	NO. AC-6390-1	R/0	SH.1 OF 1
BY: WCL	BY:	BY:		