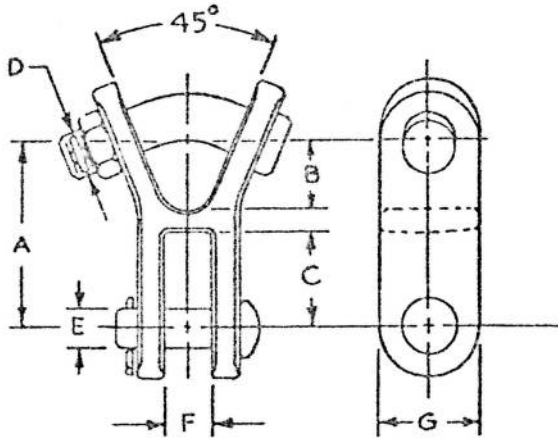
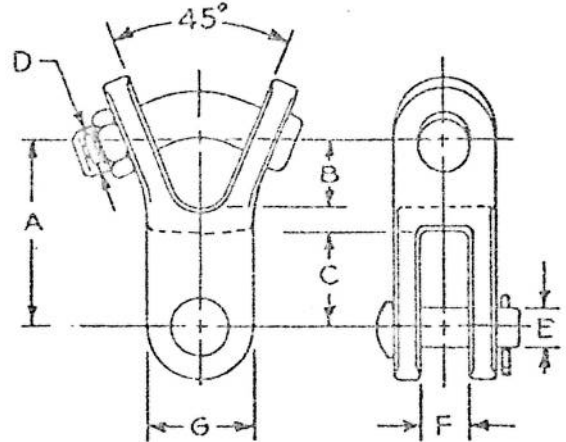


Y-Clevis-Clevis



TYPE YCC

Y-Clevis-Clevis 90°



TYPE YCCR

CATALOG NUMBER	ULTIMATE STRENGTH POUNDS	DIMENSIONS-INCHES								WGT. PER C.
		A	B	C	D	E	F	G		
YCC-65	30,000	3 5/8	1 9/16	1 9/16	3/4	5/8	13/16	1 5/8	300	
YCC-76	40,000	4 1/8	1 3/4	1 3/4	7/8	3/4	15/16	2	510	
YCC-77	50,000	4 1/8	1 3/4	1 3/4	7/8	7/8	15/16	2	520	
YCCR-65	30,000	3 5/8	1 9/16	1 9/16	3/4	5/8	13/16	1 5/8	300	
YCCR-76	40,000	4 1/8	1 3/4	1 3/4	7/8	3/4	15/16	2	510	
YCCR-77	50,000	4 1/8	1 3/4	1 3/4	7/8	7/8	15/16	2	520	

BOLT, NUT AND COTTER INSTEAD OF CLEVIS PIN AND COTTER, SPECIFY BY ADDING SUFFIX "-BC" TO CATALOG NUMBER.

Ductile Iron - Hot Dip Galvanized

NO.	DATE	DESCRIPTION	BY	CKD

RELIABLE/BETHEA POWER PRODUCTS INC.
PELHAM ALABAMA

TYPE YCC TYPE YCCR
Y-Clevis-Clevis

REVISIONS

DATE: 9-4-79 SCALE: N.T.S. NO. AC-6546 R/10 SH.1 OF.1