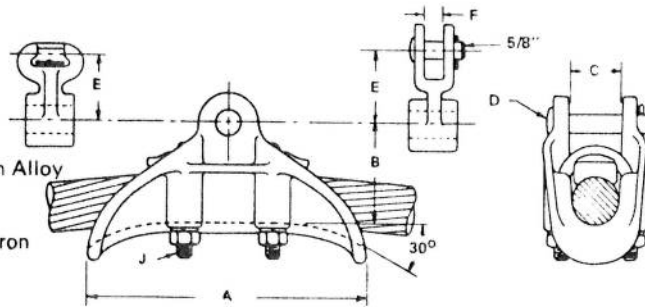


MATERIAL SPECIFICATIONS:

Body and Keeper – A356-T6 Aluminum Alloy
 Hardware – Hot Dip Galvanized Steel
 Cotter Pin – Stainless Steel
 Fittings – Hot Dip Galvanized Ductile Iron



CATALOG NUMBER	CLAMPING RANGE INCHES	DIMENSIONS – INCHES							CONNECTOR CATALOG NUMBER	ULTIMATE STRENGTH POUNDS	APPROX. WEIGHT PER C
		A	B	C	D	E	F	J			
GW-1-N GW-1-S GW-1-C	.20 - .60	6-7/16	2-1/8	27/32	5/8	2-3/16 2-7/8	5/8 11/16	1/2	NONE SI-625 SCE-55-625	17,000	180 307 307
LS-0-N LS-0-S LS-0-C	.20 - .70	6-7/16	2-1/8	27/32	5/8	2-3/16 2-7/8	5/8 11/16	1/2	NONE SI-625 SCE-55-625	17,000	180 307 307
LS-1-N LS-1-S LS-1-C	.40 - .87	7-7/16	2-5/16	1	5/8	2-3/16 2-7/8	5/8 11/16	1/2	NONE SI-875 SCE-55-875	18,000	253 411 411
LS-2-N LS-2-S LS-2-C	.40 - 1.05	7-1/2	2-1/2	1-1/4	5/8	2-3/16 2-7/8	5/8 11/16	1/2	NONE SI-1125 SCE-55-1125	25,000	273 424 424
LS-3-N LS-3-S LS-3-C	.75 - 1.19	7-7/8	2-5/8	1-3/8	5/8	2-3/16 2-7/8	5/8 11/16	1/2	NONE SI-1125 SCE-55-1125	25,000	329 488 488
LS-4-N LS-4-S LS-4-C	.87 - 1.37	7-7/8	2-3/4	1-9/16	5/8	2-3/16 2-7/8	5/8 11/16	1/2	NONE SI-1375 SCE-55-1375 A	25,000	346 514 514
LS-6-N LS-6-S LS-6-C	1.00 - 1.49	8-9/16	3	1-5/8	5/8	2-3/16 2-7/8	5/8 13/16	1/2	NONE SI-1375 SCE-55-1375 A	25,000	376 544 544
LS-7-N LS-7-S LS-7-C	1.10 - 1.77	9-7/8	3-1/4	2	5/8	2-3/16 2-7/8	5/8 11/16	1/2	NONE SI-1750 SCE-55-1750	25,000	461 633 633
LS-8-N LS-8-S LS-8-C	1.25 - 1.92	9-7/8	3-1/2	2-1/8	5/8	2-3/16 2-7/8	5/8 11/16	1/2	NONE SI-1750 SCE-55-1750	25,000	486 657 657
LS-9-N LS-9-S LS-9-C	1.40 - 2.18	10	3-13/16	2-1/4	5/8	2-3/16 2-7/8	5/8 11/16	1/2	NONE SI-2000 SCE-55-2000	25,000	686 875 875
ASC-10-N ASC-10-S* ASC-10-C**	1.75 - 2.33	10-3/8	3-7/8	2-5/16	5/8	2-3/16 2-7/8	5/8 11/16	5/8	NONE SI-2187 SCE-55-2187	25,000	705 919 919
ASC-11-N ASC-11-S* ASC-11-C**	2.00 - 2.55	11	4-1/8	2-5/8	5/8	2-3/16 2-7/8	5/8 11/16	5/8	NONE SI-2500 SCE-55-2500	25,000	894 1115 1115

"-N" Suffix indicates no fitting. "-S" Suffix indicates socket fitting for use on class 52-3 or 52-5 insulators. "-C" Suffix indicates straight clevis fitting for use on class 52-1, 52-2, 52-4 or 52-6 insulators.

*Socket fitting for class 52-8 insulators available. Specify by using suffix "-S8" instead of "-S".

**Clevis fitting for class 52-7 insulators available. Specify by using suffix "-C7" instead of "-C".

NOTE: 90° Clevis Eye available. Specify by using suffix "RC" instead of "-C".

"-BC" SUFFIX INDICATES BOLT, NUT & COTTER PIN.

				RELIABLE/BETHEA POWER PRODUCTS INC.			
				PELHAM, ALABAMA			
				TYPE GW, LS and ASC			
				Suspension Clamps (Aluminum)			
6	8-21-84	REVISED & REDRAWN	BI	BC			
NO.	DATE	DESCRIPTION	BY	CKD			
REVISIONS				DATE: 9-17-79	SCALE: N.T.S.	NO.	
DWN BY: VLP	CKD BY: BL	APR. BY:	AC-655 L-1		R/6	SH. 1	OF 1