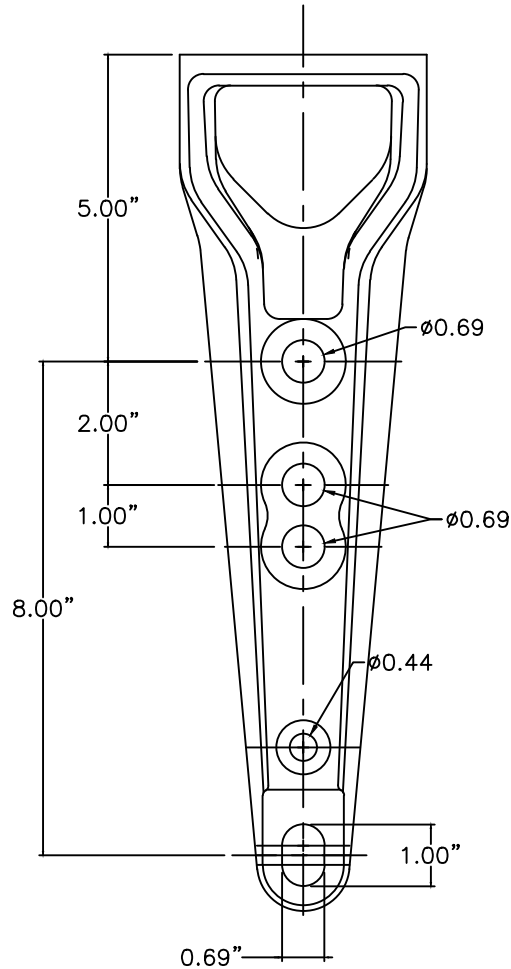
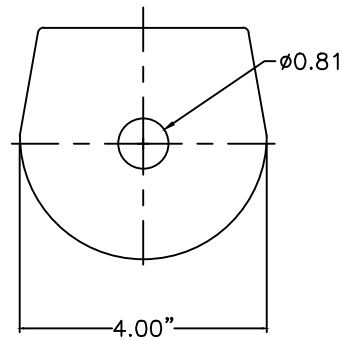
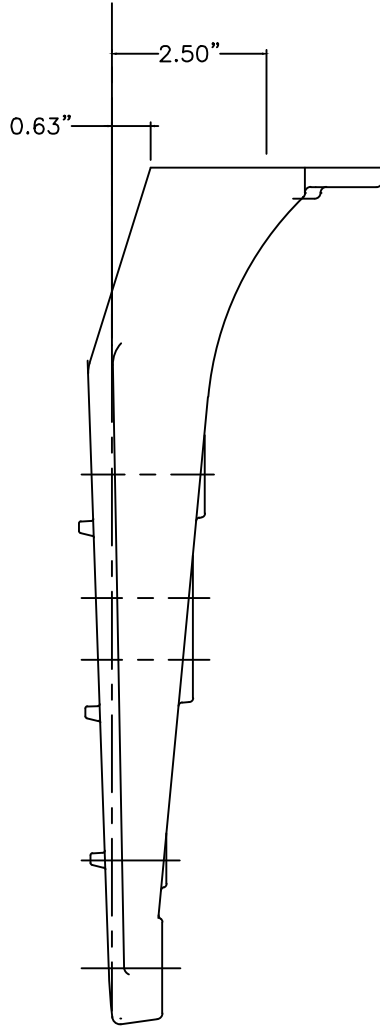


This information is confidential and is the property of Maclean Power Systems. It may not be made public or reproduced except that the Customer may make copies for use solely in installation, maintenance, and operation of products supplied by Maclean Power Systems.

NO. AC-6643

| ITEM NO. | PART NO. | CAT. NO. | DESCRIPTION | DWG. NO. |
|----------|----------|------------|-----------------------------------|-----------|
| 1 | P58054C | BPT-58F-BC | BPT-58F POLE TOP BBPT-58F POLE | BM7045-2C |



NOTES:

1. MATERIAL - DUCTILE IRON GRADE 654512
2. FINISH - HOT DIP GALVANIZED PER ASTM A153
3. TO SPECIFY A GROUNDING DEVICE ADD SUFFIX "-GC" TO CATALOG NUMBER.
4. PART NUMBER - M-7045-02
5. ULTIMATE STRENGTH EXCEEDS RATING OF 35 KV INSULATOR.



MACLEAN POWER SYSTEMS
A Maclean-fogg Company

**POLE TOP INSULATOR
BRACKET. BPT-58F**

| NO. | DATE | DESCRIPTION | BY | CKD |
|-----|---------|-----------------|-----|-----|
| 1 | 6/24/21 | ADDED BOM TABLE | EDB | |

REVISIONS

| | | | | |
|----------------|-------------|--------------|-----|-----------|
| DATE: 06/04/85 | SCALE: NONE | NO. AC-6643 | R/1 | SH.1 OF 1 |
| DWN. BY: PDN | CKD. BY: | APR. BY: WCL | | |