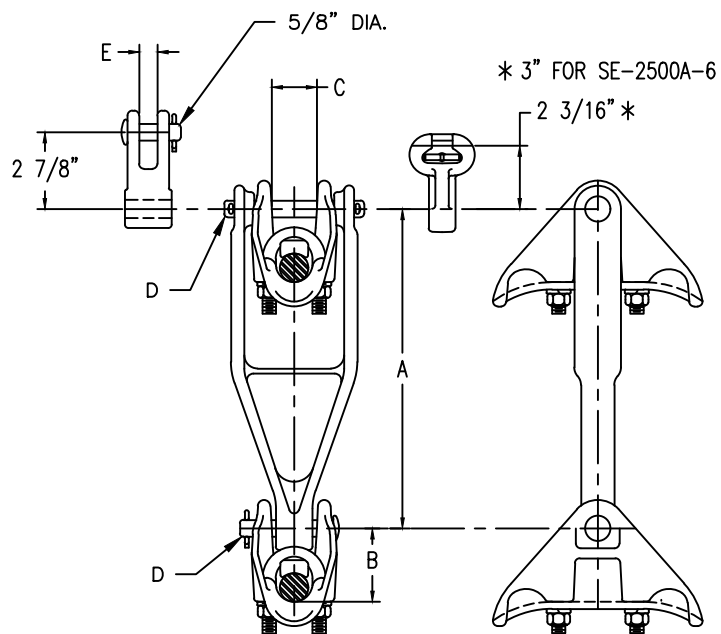


REVISIONS				
NO.	DATE	DESCRIPTION	BY	CKD
1	11/8/23	UPDATED TABLE AND RANGES	BKS	



STRENGTH - LOWER CLAMP-14,000 LBS.
COMPLETE ASSEMBLY-25,000 LBS.

NOTES

- MATERIAL -
ALUMINUM COMPONENTS(AL.) - CASTINGS : HEAT TREATED
ALUMINUM ALLOY A356-T6.
DUCTILE IRON - ASTM A536 GR. 604018. HOT DIP GALVANIZED.
- HARDWARE -
A. CLEVIS PINS, U-BOLTS, NUTS, & WASHERS - STEEL,
HOT DIP GALVANIZED PER ASTM-A153.
B. COTTER PINS - AISI-302 STAINLESS STEEL.
- FOR ANSI 52-5 SOCKET FITTING IN UPPER CLAMP ADD SUFFIX "-S"
FOR 90° Y-CLEVIS EYE FITTING IN UPPER CLAMP ADD SUFFIX "-RYCI"
"-C" INDICATES STRAIGHT CLEVIS FITTING
"-N" INDICATES NO FITTING AS SHOWN

CATALOG NUMBER	CLAMPING RANGE	DIMENSIONS - INCHES					CLAMP CAT. NO.	CONNECTOR CATALOG NUMBER
		A	B	C	D	E		
VBLS-9-44-N VBLS-9-44-S VBLS-9-44-C	.75 - 1.37	9	2 7/8	1 7/16	5/8	11/16	LS-4	NONE SI-1375 SCE-55-1375A
VBLS-9-66-N VBLS-9-66-S VBLS-9-66-C	1.00 - 1.49	9	3	1 9/16	5/8	11/16	LS-6	NONE SI-1375 SCE-55-1375A
VBLS-9-77-N VBLS-9-77-S VBLS-9-77-C	1.10 - 1.77	9	3 1/4	1 13/16	5/8	11/16	LS-7	NONE SI-1750 SCE-55-1750
VBLS-9-88-N VBLS-9-88-S VBLS-9-88-C	1.25 - 1.92	9	3 1/2	2	5/8	11/16	LS-8	NONE SI-1750 SCE-55-1750
VBLS-12-44-N VBLS-12-44-S VBLS-12-44-C	.75 - 1.37	12	2 7/8	1 7/16	5/8	11/16	LS-4	NONE SI-1375 SCE-55-1375A
VBLS-12-66-N VBLS-12-66-S VBLS-12-66-C	1.00 - 1.49	12	3	1 9/16	5/8	11/16	LS-6	NONE SI-1375 SCE-55-1375A
VBLS-12-77-N VBLS-12-77-S VBLS-12-77-C	1.10 - 1.77	12	3 1/4	1 13/16	5/8	11/16	LS-7	NONE SI-1750 SCE-55-1750
VBLS-12-88-N VBLS-12-88-S VBLS-12-88-C	1.25 - 1.92	12	3 1/2	2	5/8	11/16	LS-8	NONE SI-1750 SCE-55-1750
VBLS-18-66-N VBLS-18-66-S VBLS-18-66-C	1.00 - 1.49	18	3	1 9/16	5/8	11/16	LS-6	NONE SI-1375 SCE-55-1375A
VBLS-18-77-N VBLS-18-77-S VBLS-18-77-C	1.10 - 1.77	18	3 1/4	1 13/16	5/8	11/16	LS-7	NONE SI-1750 SCE-55-1750
VBLS-18-88-N VBLS-18-88-S VBLS-18-88-C	1.25 - 1.92	18	3 1/2	2	5/8	11/16	LS-8	NONE SI-1750 SCE-55-1750
VBLS-18-99-N VBLS-18-99-S VBLS-18-99-C	1.40 - 2.18	18	3 13/16	2 1/4	5/8	11/16	LS-9	NONE SI-2000 SCE-55-2187
VBLS-12-1111-N VBLS-12-1111-S	2.00 - 2.55	12	4 1/8	2 5/8	3/4 (TOP) 5/8 (BOT)		ASC-11	NONE SE-2500A-6
VBLS-18-1111-N VBLS-18-1111-S	2.00 - 2.55	18	4 1/8	2 5/8	3/4 (TOP) 5/8 (BOT)		ASC-11	NONE SE-2500A-6

ENG. REF.

MACLEAN POWER SYSTEMS
A MacLean-Fogg Company

VERTICAL BUNDLE ASSEMBLY

DATE: 3/5/04 SCALE: NONE NO. AC-6811-29 R 1 SH. 1
DWG. BY: BS CKD. BY: APR. BY: 1 OF 1