

Socket Y-Clevises

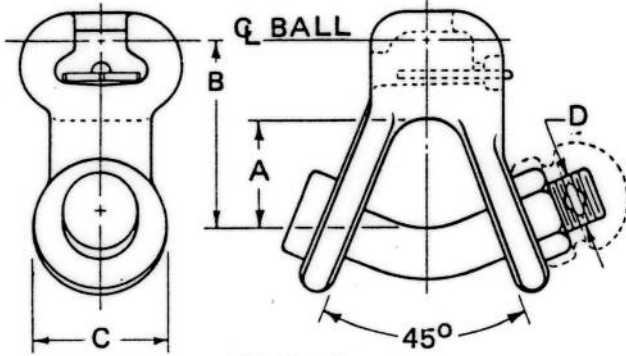


FIG. 1

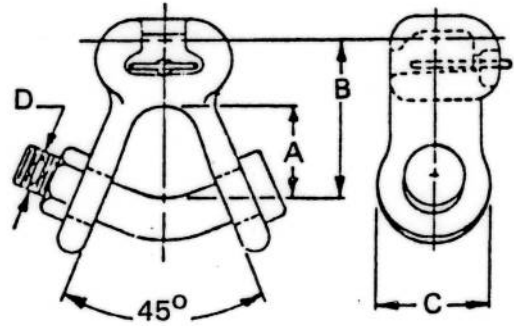


FIG. 2

Ductile Iron – Hot Dip Galvanized

Patent No. 3,141,925

CATALOG NUMBER	ULTIMATE STRENGTH POUNDS	FOR INSULATOR CLASS	FIGURE NUMBER	DIMENSIONS – INCHES				WGT. LBS./C
				A	B	C	D	
SYC-56	30,000	*ANSI 52-3 & 5	1	1-5/8	2-3/4	2-1/8	3/4	321
SYC-56F	30,000	*ANSI 52-3 & 5	1	1-3/4	4	2-1/8	3/4	340
SYC-86	40,000	ANSI 52-8	1	1-11/16	3	2-1/4	3/4	360
SYC-87	50,000	ANSI 52-8 & 11	1	1-7/8	3	2-1/2	7/8	385
SYC-207	45,000	IEC 20mm	1	2	4-3/8	2-1/2	7/8	410
SYC-249	66,000	IEC 24mm	1	3	4-5/8	3-1/16	1-1/8	1325
SYCR-56	30,000	*ANSI 52-3 & 5	2	1-5/8	2-3/4	2-1/8	3/4	290
SYCR-87	50,000	ANSI 52-8 & 11	2	1-7/8	.3	2-1/2	7/8	385

Available with spherical shield nut. To specify, add suffix "S" to catalog number. Example: SYC-56-S

*ANSI 52-5 & IEC 16mm are generally accepted as being interchangeable.

ADD SUFFIX "ANCO" FOR LOCK NUT
EX. SYCR-56-ANCO

NO.	DATE	DESCRIPTION	BY	CKD

REVISIONS

RELIABLE/BETHEA POWER PRODUCTS INC.
PELHAM, ALABAMA

SOCKET Y-CLEVISES

DATE: 2-16-88	SCALE: NTS	NO. AC-7162	R/0	SH. 1
DWN. BY: WDC	CKD. BY:	APR. BY:	OF 1	