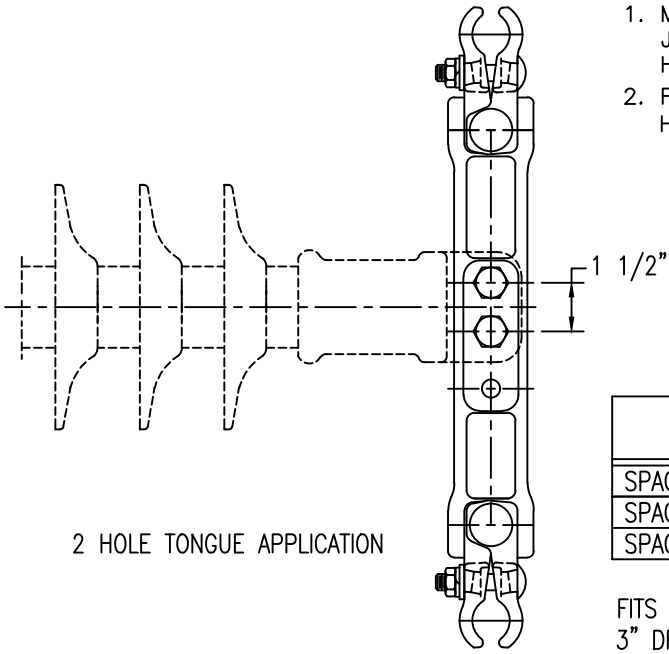


NOTES

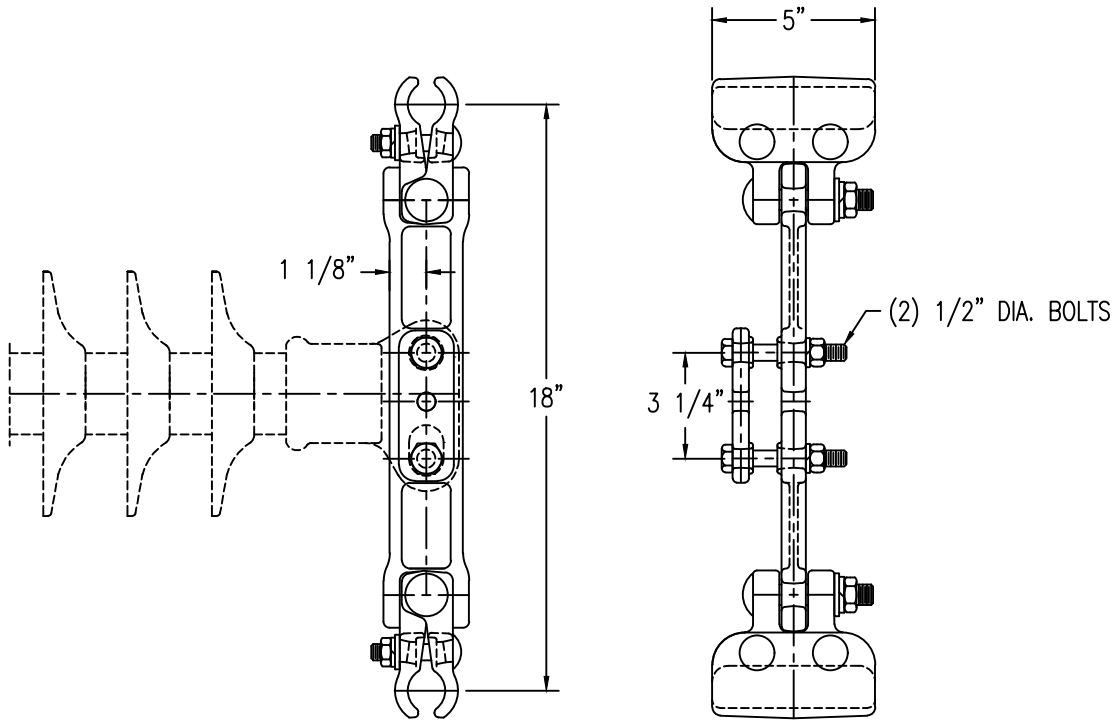
1. MATERIAL -
 JUMPER BAR AND KEEPER - ALUMINUM ALLOY A356-T6.
 HARDWARE - STEEL, HOT DIP GALVANIZED.
2. FOR H4 TYPE POSTS, ADD SUFFIX "LHB" FOR LONGER
 HEX MOUNTING BOLTS



2 HOLE TONGUE APPLICATION

DESCRIPTION	CATALOG NUMBER	BASIC MATERIAL	CLAMPING RANGE
SPACER CLAMP ASSY	LPH3D-18-140	ALUM.	0.90" - 1.40"
SPACER CLAMP ASSY	LPH3D-18-200	ALUM.	1.40" - 2.00"
SPACER CLAMP ASSY	LPH3D-18-225	ALUM.	2.00" - 2.25"

FITS 2 HOLE TONGUE, 2 1/2" DROP TONGUE, AND 3" DROP TONGUE POST INSULATORS



2 1/2" & 3" DROP TONGUE APPLICATION

NO.	DATE	DESCRIPTION	BY	CKD
3	7/14/23	CONSOLIDATED AND UPDATED DESIGN	BS	
2	8/24/11	ADDED LPH3D-18-225	BS	
1	7/26/01	ADDED 2 HOLE TONGUE APPLICATION	BS	
REVISIONS				

MACLEAN POWER SYSTEMS
 A Maclean-fogg Company

LINE POST JUMPER ASSEMBLY
 LPH3D SERIES

DATE: 5/18/01	SCALE: NONE	NO. AC-7746	R/3 SH.1 OF 1
DWN. BY: BS	CKD. BY:	APR. BY:	