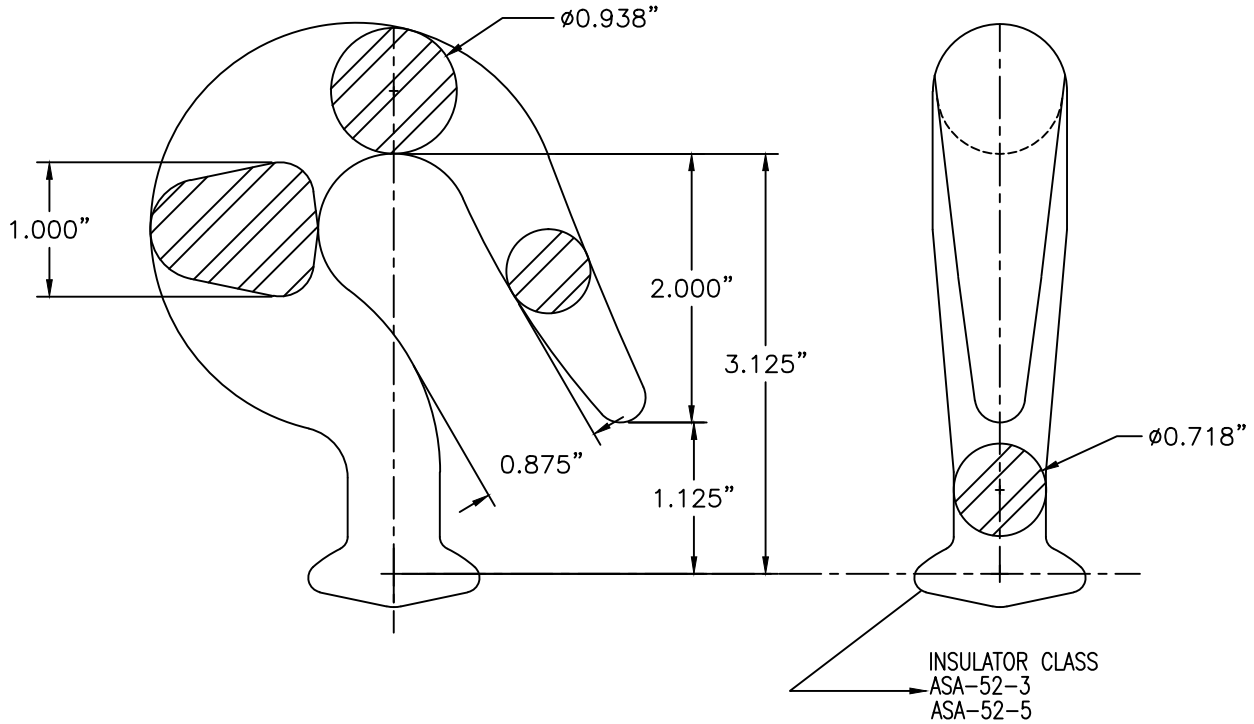


This information is confidential and is the property of Maclean Power Systems. It may not be made public or reproduced except that the Customer may make copies for use solely in installation, maintenance, and operation of products supplied by Maclean Power Systems.

NO. ASM-6226



NOTES:

1. MATERIAL: FORGED STEEL
2. COATING: HOT DIP GALVANIZED
3. ULTIMATE STRENGTH: 30,000 LBS
4. UNIT WEIGHT: 1.25 LBS
5. CATALOG NO.: BH-5L

NO.	DATE	DESCRIPTION	BY	CKD
1	9/6/13	RE-DRAWN IN CAD.	LMV	WCL
REVISIONS				



MACLEAN POWER SYSTEMS
A Maclean-fogg Company

LONG BALL HOOK (30,000#)
CAT. NO. BH-5L

DATE: 9/6/13	SCALE: NONE	NO. ASM-6226	R/1	SH.1 OF 1
BY: LMV	BY: BS	BY: WCL		