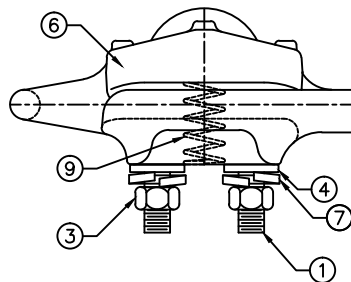
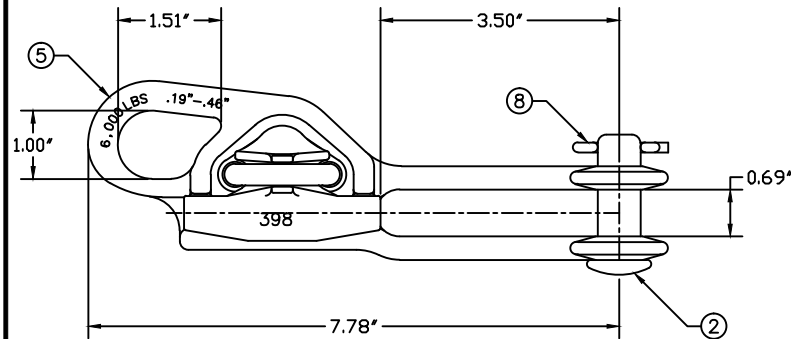
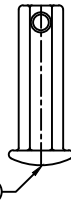


REVISIONS				
NO.	DATE	DESCRIPTION	BY	CHKD
1	01/15/15	LW WAS FOR LW & SCE ONLY.	WCL	WCL

HEX PIN REPLACES CLEVIS  
PIN IN ASD-398-1-N-HP



ITEM NO.	PART NO.	CAT. NO.	DESCRIPTION	QUANTITY			
				A	B	C	D
1	P55991	H-0200-04	3/8" U BOLT	1	1	1	1
2	P56093	H-0315-02	5/8" X 1-7/8" CLVS PIN	1	1	1	-
3	P56136	H-0400-03-W	3/8"-16 HEX NUT FIN	2	2	2	2
4	P56292	H-0500-03	3/8" FLAT WASHER	2	2	2	2
5	P59120N	*ASO-398-1B	NEW ASO-398-1B	1	1	1	1
6	P59121N	*ASO-398-1K	NEW ASO-398-1K	1	1	1	1
7	P60804	H-0520-03	3/8" LOCKWASHER	2	2	2	2
8	P61134	M-111-3	LONG COTTER PN	1	1	1	1
9	P61136	H-0476-02	0.312I.D.X1.88 SPRING	1	1	1	1
10	P61654	H-0320-03	HEX CLEVIS PIN	-	-	-	1

	ASSEMBLY NUMBER	REF. NO.
(R)	ASO-398-1-N	A
	ASO-398-1-N-LW	B
	ASO-398-1-N-SCE	C
(R)	ASO-398-1-N-HP	D

NOTES:


1. MATERIAL - BODY AND KEEPER:  
A356-T6 ALUMINUM ALLOY

HARDWARE:  
STEEL, HOT DIP GALVANIZED PER  
ASTM-A153

COTTER PIN AND COMP. SPRING:  
STAINLESS STEEL

2. ULTIMATE STRENGTH - BODY: 6,000 LBS.  
EYE: 6,000 LBS.

3. CLAMPING RANGE - 0.19" TO 0.46"

 <b>MACLEAN POWER SYSTEMS</b> A Maclean-fogg Company	
HOT LINE DEAD END CLAMP ASO-398-1-N, ASO-398-N-LW ASO-398-1-N-SCE, ASO-398-1-N-HP	
DATE: 12/5/11	SCALE: NONE
DRAWN: CDR	NO. BC8514-1
CHKD: BR	R/1
APR: BR	SH_1
	RF_1

This information is confidential and is the property of Maclean Power Systems. It may not be made public or reproduced except that the Customer may make copies for use solely in installation, maintenance, and operation of products supplied by Maclean Power Systems.

ENG. REF.