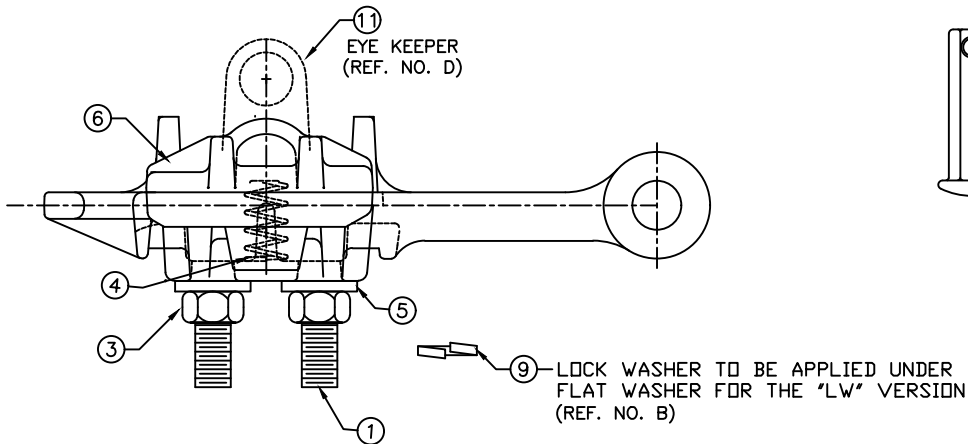
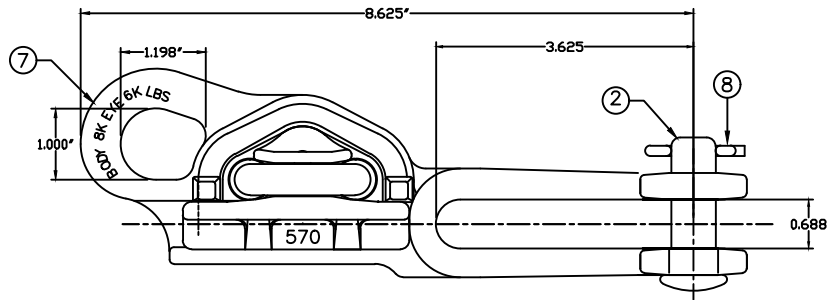
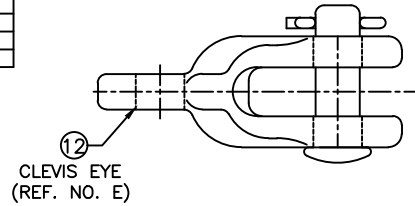


REVISIONS				
NO.	DATE	DESCRIPTION	BY	CHKD
1	02/02/18	Added AS0570-1N-LW	MBG	
2	12/17/20	Revised with updated design	WCL	
3	05/18/21	UPDATED WITH NEW CASTINGS	WCL	
4	11/16/21	ADDED EN-LW OPTION	MBG	



ITEM NO.	PART NO.	CAT. NO.	DESCRIPTION	QUANTITY					
				A	B	C	D	E	F
1	P56020	H-0201-23	1/2" U-BOLT	1	1	1	1	1	1
2	P56093	H-0315-02	5/8" x 1-7/8" CLEVIS PIN	1	1	-	1	1	1
3	P56138	H-0400-04-W	1/2"-13 HEX NUT FIN	2	2	2	2	2	2
4	P56230	H-0470-03	0.5"x2.375" SPRING	1	1	1	1	1	1
5	P56294	H-0500-04	1/2" FLATWASHER	2	2	2	2	2	2
6	P60004	AS0570-1K	ASO-570-1 KEEPER	1	1	1	-	-	1
7	P60005	AS0570-1B	ASO-570-1 BODY	1	1	1	1	1	1
8	P61134	M-111-3	LONG COTTER PIN	1	1	1	1	1	1
9	P56399	H-0520-04	1/2" LOCKWASHER	-	2	-	-	2	-
10	P61654	H-0320-03	5/8" x 2-1/8" HEX CLEVIS PIN	-	-	1	-	-	-
11	P60004E	AS0570-1EK	ASO-858-1 EYE KEEPER	-	-	-	1	1	-
12	P327212	SCE-55-500	STRAIGHT CLEVIS EYE	-	-	-	-	-	1

ASSEMBLY NUMBER	REF. NO.
ASO-570-1-N	A
ASO-570-1N-LW	B
ASO-570-1-N-HP	C
ASO-570-1-EN	D
ASO-570-1-EN-LW	E
ASO-570-1-C	F

NOTES:

- MATERIAL - BODY AND KEEPER:
A356-T6 ALUMINUM ALLOY
CLEVIS EYE:
DUCTILE IRON, HOT DIP GALVANIZED
PER ASTM-A153
HARDWARE:
STEEL, HOT DIP GALVANIZED PER
ASTM-A153
COTTER PIN AND COMP. SPRING:
STAINLESS STEEL
- ULTIMATE STRENGTH - BODY: 8,000 LBS.
EYE: 6,000 LBS.
CLEVIS EYE - 25,000 LBS.
- CLAMPING RANGE - 0.19" TO 0.57"

MACLEAN POWER SYSTEMS
A Maclean-Logg Company

HOT LINE DEAD END CLAMP
ASO-570-1-N, ASO-570-1N-LW,
ASO-570-1-N-HP, ASO-570-1EN,
AND ASO-570-1-C

This information is confidential and is the property of Maclean Power Systems. It may not be made public or reproduced except that the Customer may make copies for use solely in installation, maintenance, and operation of products supplied by Maclean Power Systems.

DATE: 12/06/2011	SCALE: NONE	BC8515-1	R / 4	SH 1 / OF 1
DRAWN BY: CDR	APP. BY:			