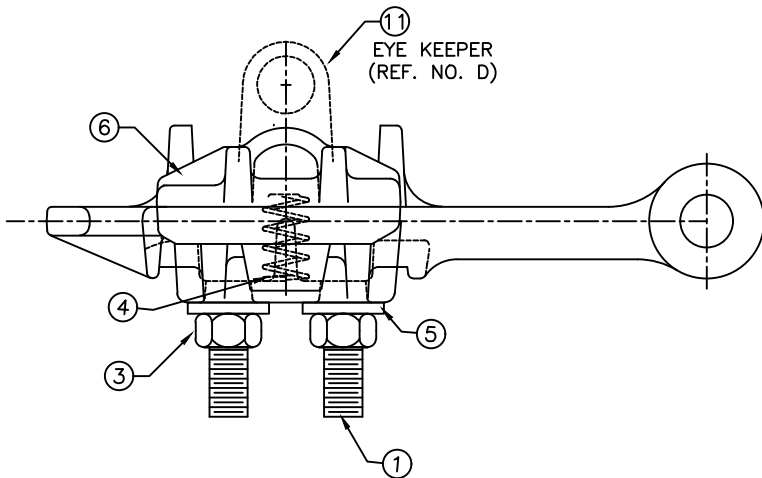
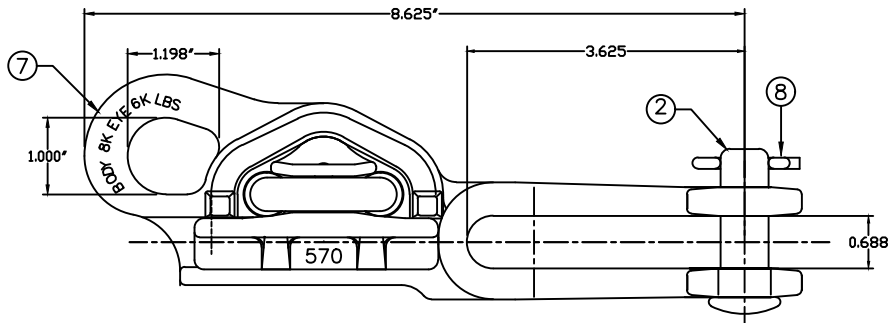


REVISIONS

NO.	DATE	DESCRIPTION	BY	CKD
1	12/17/20	Revised with updated design	WCL	
2	03/24/21	Updated clamping ranges and size	WCL	
3	05/18/21	UPDATED WITH THE NEW CASTINGS	EDB	



10 LOCK WASHER TO BE APPLIED UNDER FLAT WASHER FOR THE "LW" VERSION (REF. NO. C)

ITEM NO.	PART NO.	CAT. NO.	DESCRIPTION	QUANTITY			
				A	B	C	D
1	P56020	H-0201-23	1/2" U-BOLT	1	1	1	1
2	P56094	H-0315-03	5/8" x 2-1/16" CLEVIS PIN	1	-	-	1
3	P56138	H-0400-04-W	1/2"-13 HEX NUT FIN	2	2	2	2
4	P56230	H-0470-06	0.5"x2.75" SPRING	1	1	1	1
5	P56294	H-0500-04	1/2" FLATWASHER	2	2	2	2
6	P60004T	ASO570-1TPK	ASO-570-1 KEEPER (TIN PLATED)	1	-	1	-
7	P60005T	ASO570-1TPB	ASO-570-1 BODY (TIN PLATED)	1	1	1	1
8	P61134	M-111-3	LONG COTTER PIN	1	1	1	1
9	P61654	H-0320-03	5/8" x 2-1/8" HEX CLEVIS PIN	-	1	1	-
10	P56399	H-0520-04	1/2" LOCKWASHER	-	-	2	-
11	P60004E	ASO570-1EK	ASO-858-1 EYE KEEPER	-	-	-	1

ASSEMBLY NUMBER	REF. NO.
ASO-570-1-N-TP	A
ASO-570-1N-TP-HP	B
ASO-570-1N-TP-HPLW	C
ASO-570-1EN-TP	D

NOTES:

1. MATERIAL - BODY AND KEEPER:  
A356-T6 ALUMINUM ALLOY

HARDWARE:  
STEEL, HOT DIP GALVANIZED PER  
ASTM-A153

COTTER PIN AND COMP. SPRING:  
STAINLESS STEEL

2. ULTIMATE STRENGTH - BODY: 8,000 LBS.  
EYE: 6,000 LBS.

CLEVIS EYE - 25,000 LBS.

3. CLAMPING RANGE - 0.16" TO 0.57"  
6-250 AL/CU



**MACLEAN POWER SYSTEMS**  
A Maclean-fogg Company

TIN PLATED HOT LINE DEAD END CLAMP  
ASO-570-1-N-TP AND ASO-570-1N-TP-HP

This information is confidential and is the property of Maclean Power Systems. It may not be made public or reproduced except that the Customer may make copies for use solely in installation, maintenance, and operation of products supplied by Maclean Power Systems.

DATE: 12/06/2011	SCALE: NONE	BC8515-2	R/3	SH_1
DRAWN BY: CDR	CKD BY:			