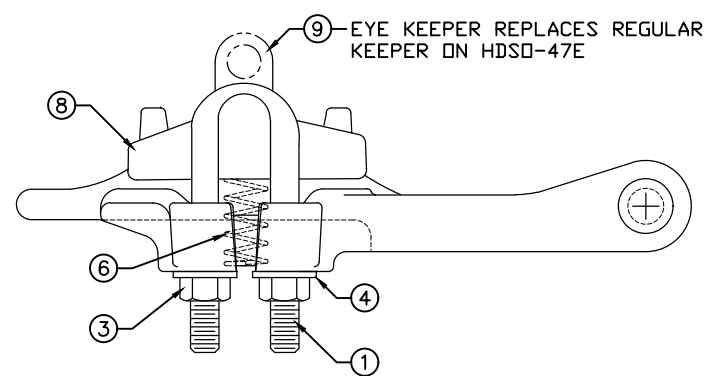
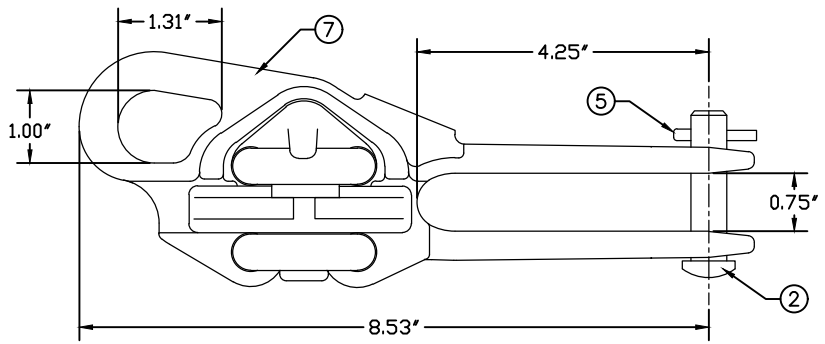


REVISIONS				
NO.	DATE	DESCRIPTION	BY	CHKD
1	06/28/19	LOWER CLAMP RANGE WAS 0.19"	MBG	

ITEM NO.	PART NO.	CAT. NO.	DESCRIPTION	QUANTITY			
				A	B	C	D
1	P55991	H-0200-04	3/8" U-BOLT	2	2		
2	P56094	H-0315-03	5/8" x 2-1/16" CLEVIS PIN	1	1		
3	P56136	H-0400-03-W	3/8"-16 HEX NUT FIN	4	4		
4	P56292	H-0500-03	3/8" FLAT-WASHER	4	4		
5	P61134	M-111-3	LONG COTTER PIN	1	1		
6	P61136	H-0476-02	0.312" I.D. x 1.88" SPRING	1	1		
7	P62140	*HDSO-47-B	HDSO-47 BODY	1	1		
8	P62141	*HDSO-47-K	HDSO-47 KEEPER	1	-		
9	P62142	*HDSO-47-EK	HDSO-47 EYE KEEPER	-	1		



ASSEMBLY NUMBER	REF. NO.
HDSO-47	A
HDSO-47E	B
-----	C
-----	D

- NOTES:
- MATERIAL - BODY AND KEEPER: A356-T6 ALUMINUM ALLOY  
 HARDWARE: STEEL, HOT DIP GALVANIZED PER ASTM-A153  
 COTTER PIN AND COMP. SPRING: STAINLESS STEEL
  - ULTIMATE STRENGTH - BODY: 7,000 LBS.  
 EYE: 4,000 LBS.
  - CLAMPING RANGE - 0.16" TO 0.47"

**MACLEAN POWER SYSTEMS**  
*A Maclean-fogg Company*

HOT LINE DEAD END CLAMP  
 HDSO-47, HDSO-47E

ENG. REF.

This information is confidential and is the property of Maclean Power Systems. It may not be made public or reproduced except that the Customer may make copies for use solely in installation, maintenance, and operation of products supplied by Maclean Power Systems.

DATE: 12/08/2011	SCALE: NONE	NO.	R / 1	SHL 1
CHKD. BY:	APPR. BY:	BC8524-1		OF 1