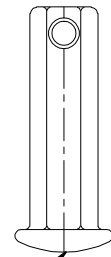
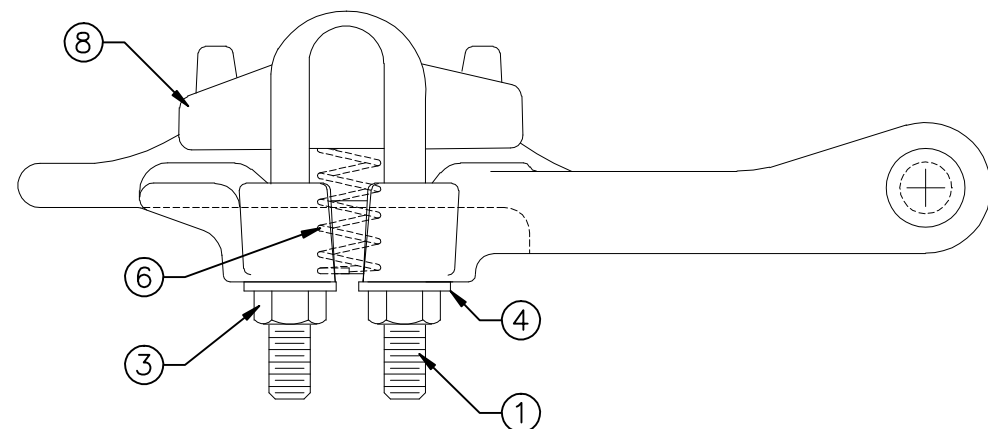
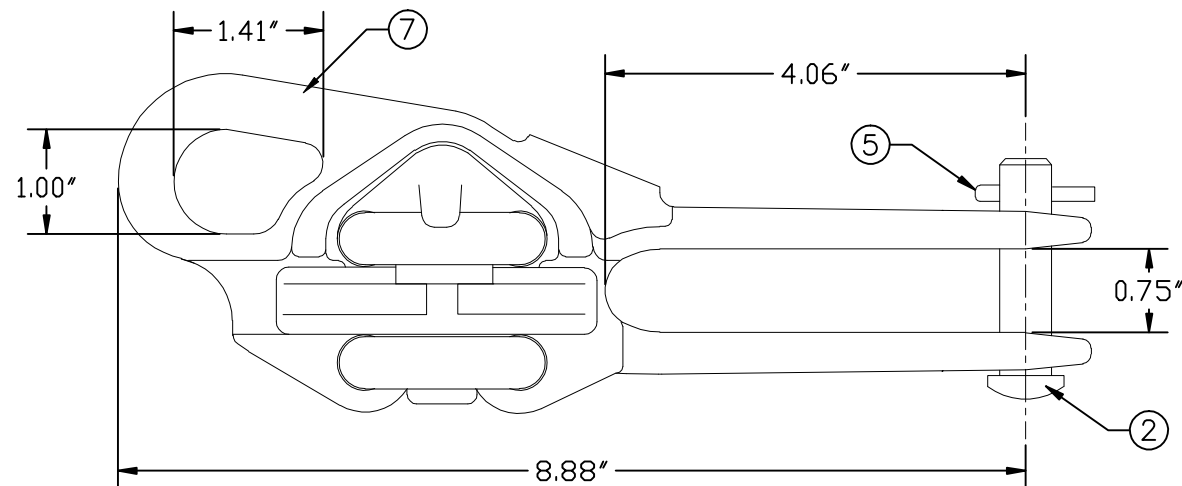


| REVISIONS |      |             |    |     |
|-----------|------|-------------|----|-----|
| NO.       | DATE | DESCRIPTION | BY | CKD |
|           |      |             |    |     |

HEX PIN REPLACES CLEVIS  
PIN ON HDSO-57HP



| ITEM NO. | PART NO. | CAT. NO.    | DESCRIPTION                   | QUANTITY |   |   |   |
|----------|----------|-------------|-------------------------------|----------|---|---|---|
|          |          |             |                               | A        | B | C | D |
| 1        | P55991   | H-0200-04   | 3/8" U-BOLT                   | 2        | 2 |   |   |
| 2        | P56094   | H-0315-03   | 5/8" x 2-1/16" CLEVIS PIN     | 1        | - |   |   |
| 3        | P56136   | H-0400-03-W | 3/8"-16 HEX NUT FIN           | 4        | 4 |   |   |
| 4        | P56292   | H-0500-03   | 3/8" FLAT-WASHER              | 4        | 4 |   |   |
| 5        | P61134   | M-111-3     | LONG COTTER PIN               | 1        | 1 |   |   |
| 6        | P61136   | H-0476-02   | 0.312" I.D. x 1.88" SPRING    | 1        | 1 |   |   |
| 7        | P62146   | *HDSO-57-B  | HDSO-57 BODY CST              | 1        | 1 |   |   |
| 8        | P62147   | *HDSO-57-K  | HDSO-57 KEEPER                | 1        | 1 |   |   |
| 9        | P61654   | H-0320-03   | 5/8"φ x 2-1/8" HEX CLEVIS PIN | -        | 1 |   |   |



| ASSEMBLY NUMBER | REF. NO. |
|-----------------|----------|
| HDSO-57         | A        |
| HDSO-57HP       | B        |
| - - - - -       | C        |
| - - - - -       | D        |

NOTES:

1. MATERIAL - BODY AND KEEPER:  
A356-T6 ALUMINUM ALLOY

HARDWARE:  
STEEL, HOT DIP GALVANIZED PER  
ASTM-A153

COTTER PIN AND COMP. SPRING:  
STAINLESS STEEL

2. ULTIMATE STRENGTH - BODY: 8,000 LBS.  
EYE: 5,000 LBS.

3. CLAMPING RANGE - 0.25" TO 0.57"



HOT LINE DEAD END CLAMP  
HDSO-57, HDSO-57HP

This information is confidential and is the property of Maclean Power Systems. It may not be made public or reproduced except that the Customer may make copies for use solely in installation, maintenance, and operation of products supplied by Maclean Power Systems.

|                  |             |          |          |       |              |
|------------------|-------------|----------|----------|-------|--------------|
| DATE: 12/08/2011 | SCALE: NONE | NO.      | BC8526-1 | R / 0 | SH. 1 / OF 1 |
| DWN. BY: CDR     | CKD. BY:    | APR. BY: |          |       |              |

ENG. REF.