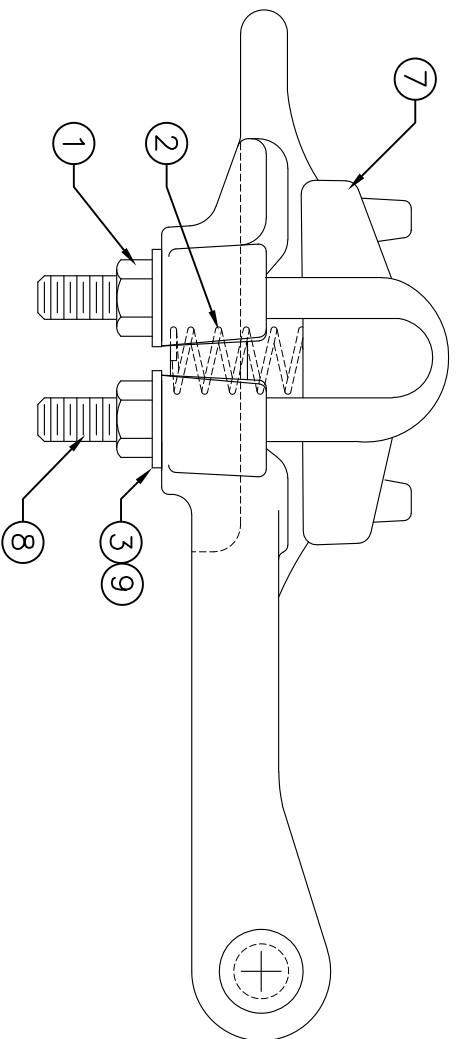
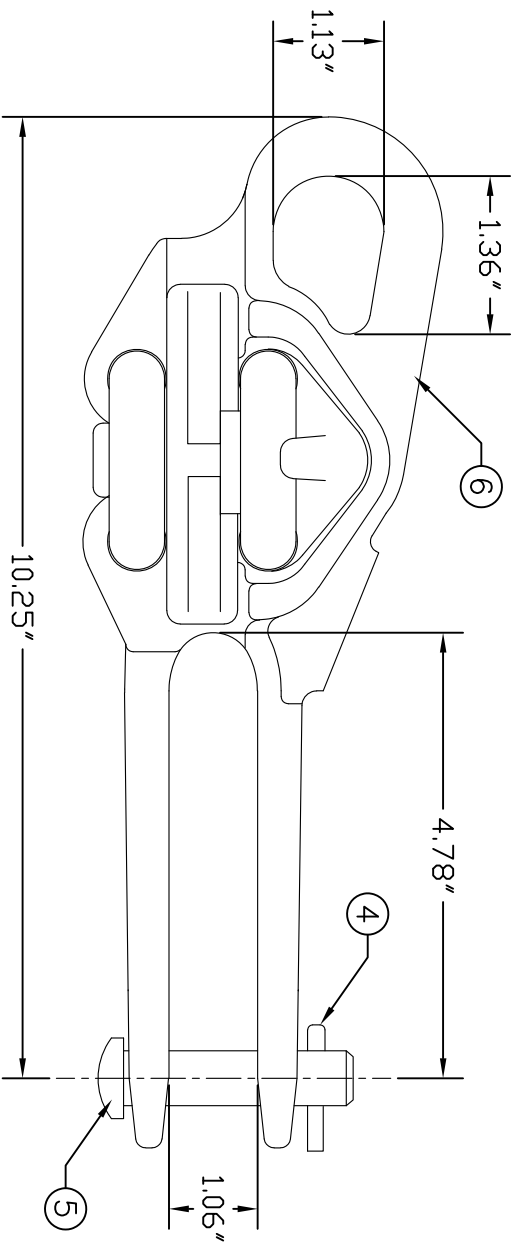
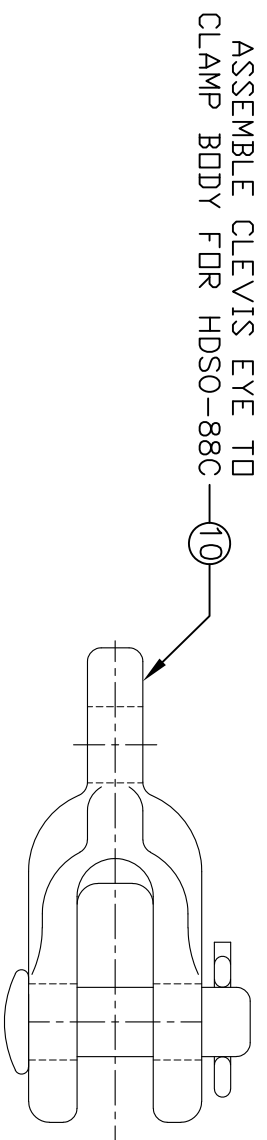


REVISIONS				
NO.	DATE	DESCRIPTION	BY	CHKD
1	10/07/20	ADDED HDSO-88-LW OPTION	KMK	KMK



ITEM NO.	PART NO.	CAT. NO.	DESCRIPTION	QUANTITY			
				A	B	C	D
1	P56138	H-0400-04-W	1/2"-13 HEX NUT FIN	4	4	4	
2	P56230	H-0470-06	0.5" x 2.75" SPRING	1	1	1	
3	P56294	H-0500-04	1/2" FLATWASHER	4	4	4	
4	P61134	M-111-3	LONG COTTER PIN	1	1	1	
5	P61165	H-0315-04	5/8" x 2-9/16" CLEVIS PIN	1	1	1	
6	P62157	*HDSO-88-B	HDSO-88 BODY	1	1	1	
7	P62159	*HDSO-88-K	HDSO-88 KEEPER	1	1	1	
8	P62681	H-0201-32	1/2" STEEL U-BOLT	2	2	2	
9	P56399	H-0520-04	1/2" LOCKWASHER	-	-	1	
10	F327217	SCE-55-875	STRAIGHT CLEVIS EYE	-	1	-	

ASSEMBLY NUMBER	REF. NO.
HDSO-88	A
HDSO-88C	B
HDSO-88LW	C
- - - - -	D

NOTES:

1. MATERIAL - BODY AND KEEPER: A356-T6 ALUMINUM ALLOY

HARDWARE: STEEL, HOT DIP GALVANIZED PER ASTM-A153

COTTER PIN AND COMP. SPRING: STAINLESS STEEL

2. ULTIMATE STRENGTH - BODY: 10,000 LBS.
EYE: 6,000 LBS.

3. CLAMPING RANGE - 0.25" TO 0.88"



HOT LINE DEAD END CLAMP
HDSO-88, HDSO-88C

ENG. REF.

This information is confidential and is the property of Maclean Power Systems. It may not be made public or reproduced except that the Customer may make copies for use solely in installation, maintenance, and operation of products supplied by Maclean Power Systems.

DATE: 12/09/2011	SCALE: NONE	NO.	R	SH. 1
DATE: 12/09/2011	SCALE: NONE	NO.	R	SH. 1
DATE: 12/09/2011	SCALE: NONE	NO.	R	SH. 1
DATE: 12/09/2011	SCALE: NONE	NO.	R	SH. 1

BC8531-1