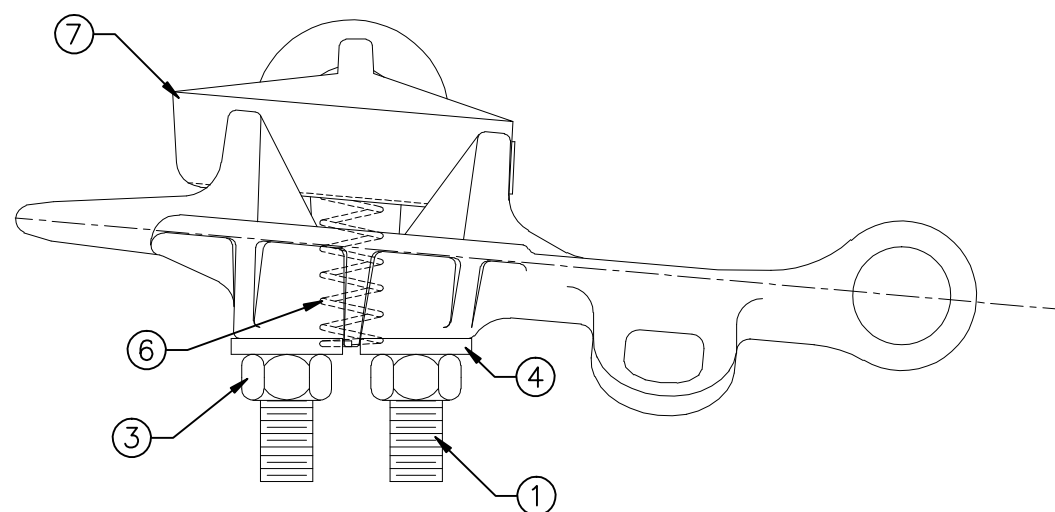
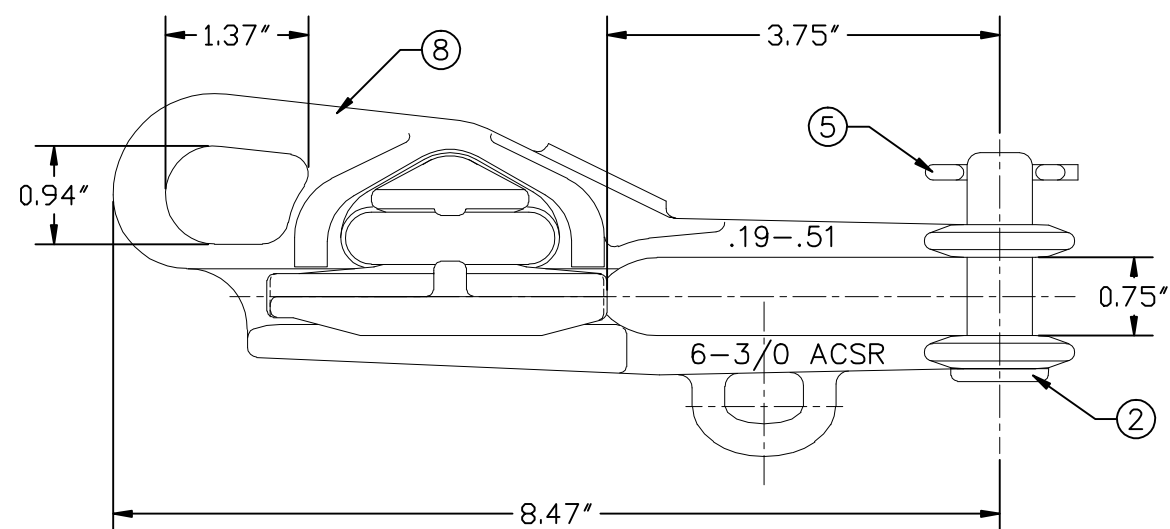


REVISIONS				
NO.	DATE	DESCRIPTION	BY	CKD

ITEM NO.	PART NO.	CAT. NO.	DESCRIPTION	QUANTITY			
				A	B	C	D
1	P56021	H-0201-24	1/2" U-BOLT	1			
2	P56094	H-0315-03	5/8"φ x 2-1/16" CLEVIS PIN	1			
3	P56138	H-0400-04-W	1/2"-13 HEX NUT FIN	2			
4	P56294	H-0500-04	1/2" FLATWASHER	2			
5	P61134	M-111-3	LONG COTTER PIN	1			
6	P61190	H-0476-03	0.312" x 2.38" COMP. SPRING	1			
7	P63218T	*HCDS51TK	HCDS51 KEEPER (TIN PLATED)	1			
8	P63251	*HCDS51TPB	HCDS51 BODY (TIN PLATED)	1			



ASSEMBLY NUMBER	REF. NO.
HCDS51-SO-TP	A
	B
	C
	D

NOTES:


1. MATERIAL - BODY AND KEEPER:  
A356-T6 ALUMINUM ALLOY  
(TIN PLATED)

HARDWARE:  
STEEL, HOT DIP GALVANIZED PER  
ASTM-A153

COTTER PIN AND COMP. SPRING:  
STAINLESS STEEL

2. ULTIMATE STRENGTH - BODY: 8,000 LBS.  
EYE: 6,000 LBS.

3. CLAMPING RANGE - 0.19" TO 0.51"

 <b>MACLEAN POWER SYSTEMS</b> A Maclean-fogg Company	
DEAD END SIDE OPENING CLAMP HCDS51-SO-TP	
DATE: 12/16/2011	SCALE: NONE
DWN. BY: CDR	APR. BY: [Signature]
CKD. BY: [Signature]	NO. BC8556-2
	R / 0 SH. 1 OF 1

This information is confidential and is the property of Maclean Power Systems. It may not be made public or reproduced except that the Customer may make copies for use solely in installation, maintenance, and operation of products supplied by Maclean Power Systems.

ENG. REF.