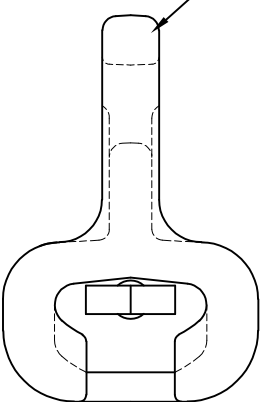
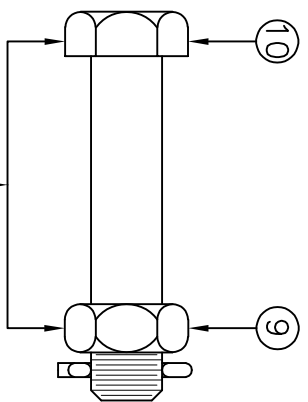


REVISIONS			
NO.	DATE	DESCRIPTION	BY CKD
1	9-14-23	CHANGED TO MATCH NEW PART	KMK

ASSEMBLE SOCKET EYE TO CLAMP
BDDY DN LS-1-S, LS-1-S-BC-⑧

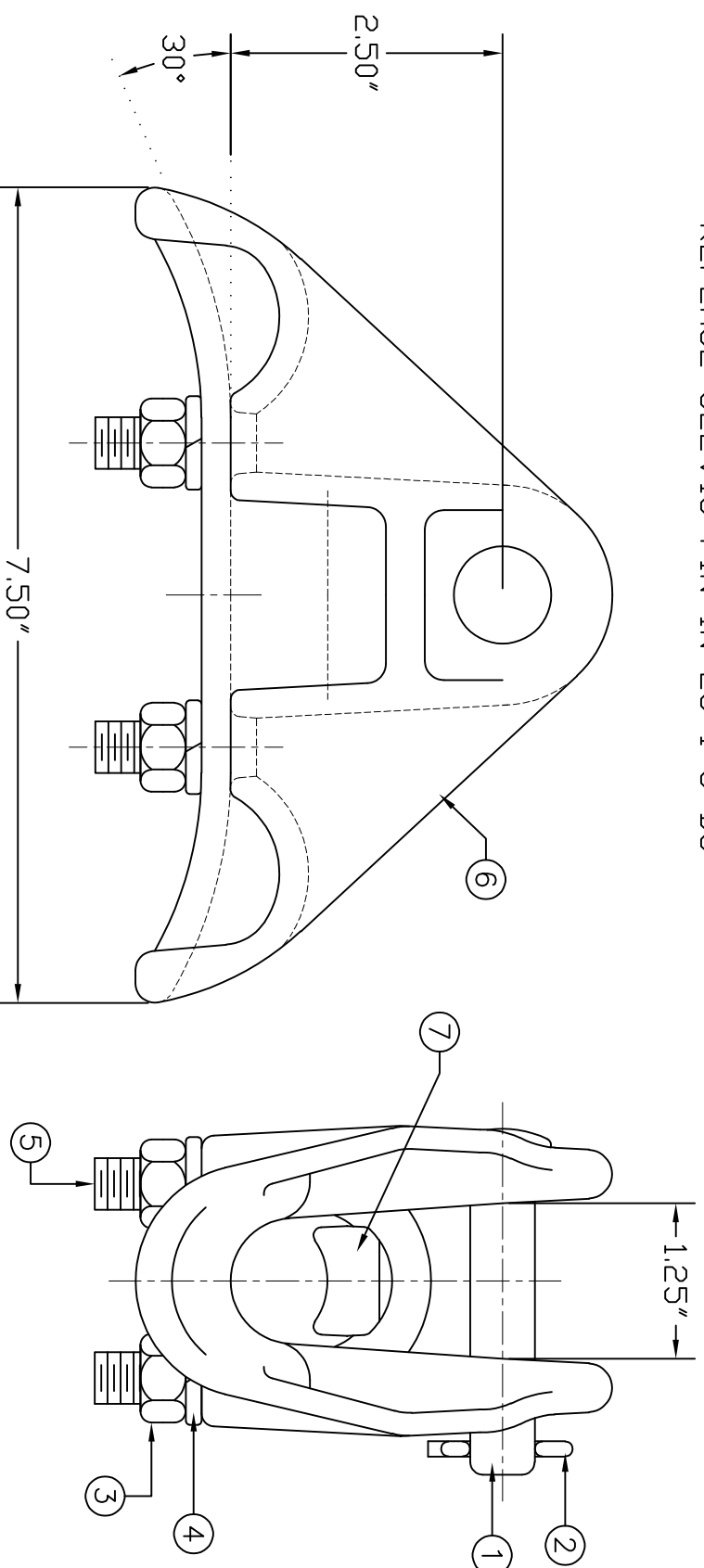


REPLACE CLEVIS PIN IN LS-1-S-BC



ITEM NO.	PART NO.	CAT. NO.	DESCRIPTION	QUANTITY			
				A	B	C	D
1	P56059	H-0300-04	5/8"Ø CLEVIS PIN	1	-		
2	P56109	H-0360-01	COTTER PIN HMP 5/8"	1	1		
3	P56137	H-0400-04	1/2"-13 HEX NUT FIN	4	4		
4	P56399	H-0520-04	1/2" LOCKWASHER	4	4		
5	P56493	M-0008-05	1/2" U-BOLT	2	2		
6	P59322	*LS-2B	LS-2 BODY	1	1		
7	P59401	*LS-1/2K	LS-1 & LS-2 KEEPER	1	1		
8	P56895P	>SI-1125	SOCKET EYE	1	1		
9	P56157	H-0402-05	5/8" HEX JAM NUT	-	1		
10	P62607	H-0705-3500	5/8"Ø CLEVIS BOLT	-	1		

ASSEMBLY NUMBER	REF. NO.
LS-1-S	A
LS-1-S-BC	B
	C
	D



- NOTES:
- MATERIAL – BODY AND KEEPER: A356-T6 ALUMINUM ALLOY

- HARDWARE:
STEEL, HOT DIP GALVANIZED PER ASTM-A153
- COTTER PIN:
STAINLESS STEEL
- ULTIMATE STRENGTH: 25,000 LBS.
 - CLAMPING RANGE – 0.40" TO 1.05"



ALUMINUM SUSPENSION CLAMP
LS-1-S, LS-1-S-BC

ENG. REF.

This information is confidential and is the property of Maclean Power Systems. It may not be made public or reproduced except that the Customer may make copies for use solely in installation, maintenance, and operation of products supplied by Maclean Power Systems.

DATE: 12/16/2011	SCALE: NONE	NO.	R	SH-1
DMN: CDR	CKD: RY	APR: RY	1	OF 1

BC8559-2