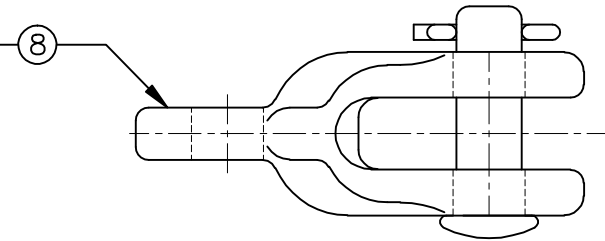


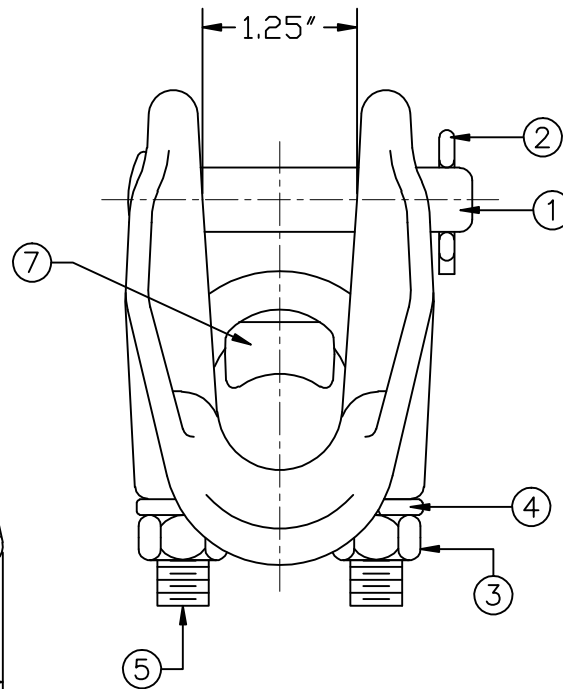
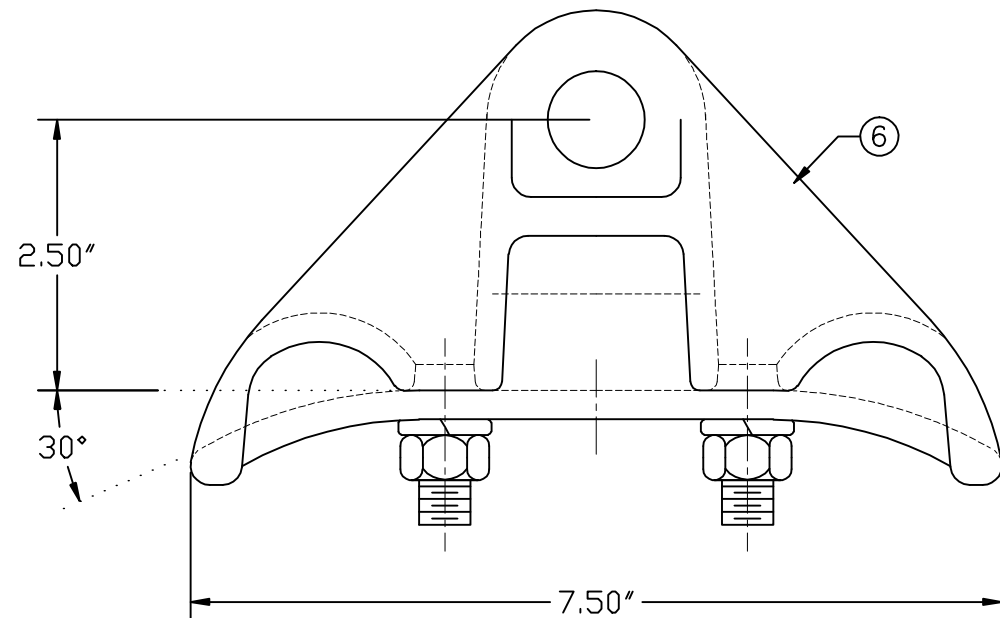
REVISIONS				
NO.	DATE	DESCRIPTION	BY	CKD

ITEM NO.	PART NO.	CAT. NO.	DESCRIPTION	QUANTITY			
				A	B	C	D
1	P56059	H-0300-04	5/8"Ø CLEVIS PIN	1			
2	P56109	H-0360-01	COTTER PIN HMP 5/8"	1			
3	P56137	H-0400-04	1/2"-13 HEX NUT FIN	4			
4	P56399	H-0520-04	1/2" LOCKWASHER	4			
5	P56493	M-0008-05	1/2" U-BOLT	2			
6	P59322	*LS-2B	LS-2 BODY	1			
7	P59401	*LS-1/2K	LS-1 & LS-2 KEEPER	1			
8	F410590	CE55-9	STRAIGHT CLEVIS EYE	1			

ASSEMBLE CLEVIS EYE TO CLAMP BODY FOR LS-2-C




ASSEMBLY NUMBER	REF. NO.
LS-2-C	A
	B
	C
	D



NOTES:

- MATERIAL - BODY AND KEEPER:  
A356-T6 ALUMINUM ALLOY  
  
HARDWARE:  
STEEL, HOT DIP GALVANIZED PER  
ASTM-A153  
  
COTTER PIN:  
STAINLESS STEEL
- ULTIMATE STRENGTH: 25,000 LBS.
- CLAMPING RANGE - 0.40" TO 1.05"

 <b>MACLEAN POWER SYSTEMS</b> A Maclean-fogg Company	
ALUMINUM SUSPENSION CLAMP LS-2-C	
DATE: 12/16/2011	SCALE: NONE
DWN. BY: CDR	APR. BY: [Signature]
NO. BC8560-3	R / 0 SH. 1 OF 1

This information is confidential and is the property of Maclean Power Systems. It may not be made public or reproduced except that the Customer may make copies for use solely in installation, maintenance, and operation of products supplied by Maclean Power Systems.

ENG. REF.