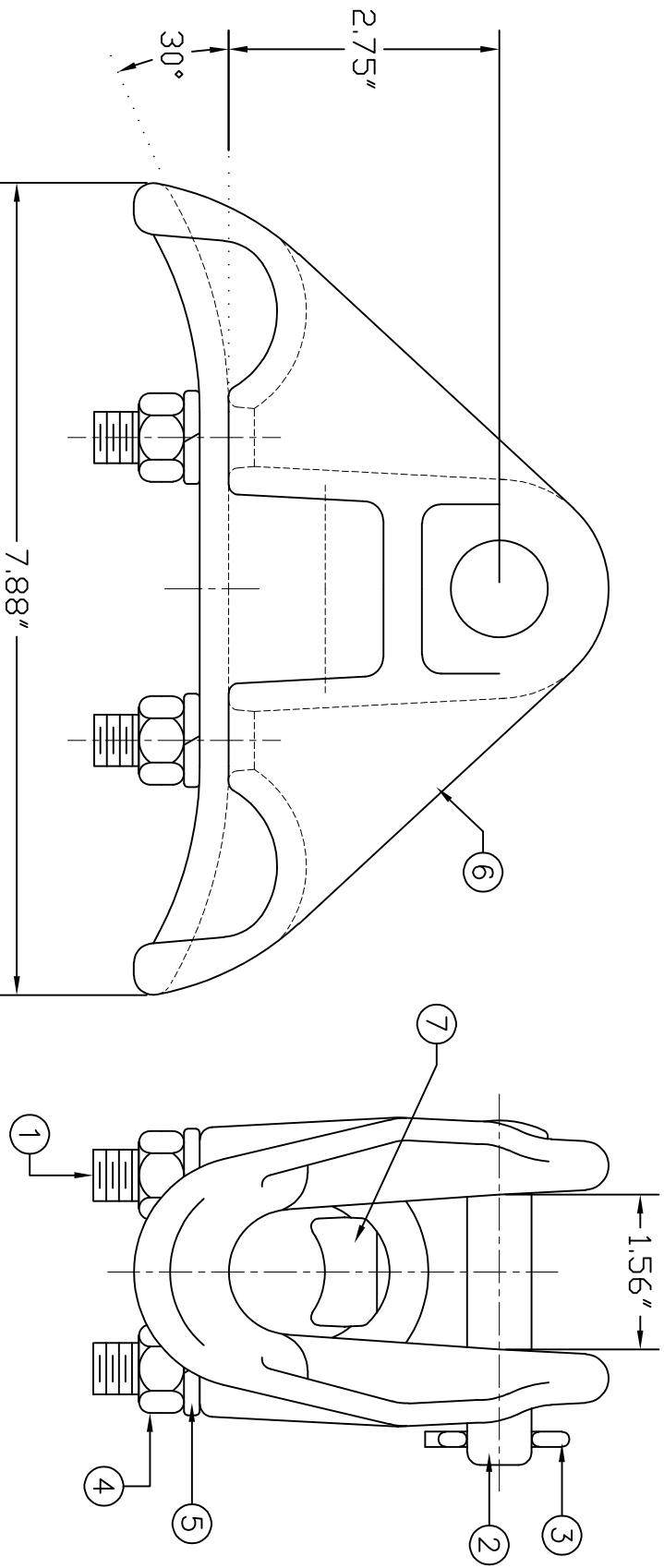
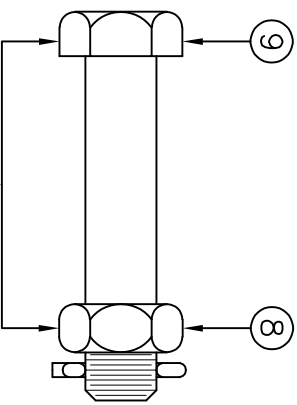


REVISIONS			
NO.	DATE	DESCRIPTION	BY CKD
1	9/14/23	CHANGED DRAWING FOR NEW PART	KMK

REPLACE CLEVIS PIN IN LS-3-N-BC



ITEM NO.	PART NO.	CAT. NO.	DESCRIPTION	QUANTITY			
				A	B	C	D
1	P56007	H-0201-12	1/2" U-BOLT	2	2	2	
2	P56059	H-0300-04	5/8"Ø CLEVIS PIN	1	-	-	
3	P56109	H-0360-01	COTTER PIN HMP 5/8"	1	1	-	
4	P56137	H-0400-04	1/2"-13 HEX NUT FIN	4	4	4	
5	P56399	H-0520-04	1/2" LOCKWASHER	4	4	4	
6	P58950	P-0365-01	LS-4 BODY	1	1	1	
7	P59402	P-0836-01	LS-3 & LS-4 KEEPER	1	1	1	
8	P56157	H-0402-05	5/8" HEX JAM NUT	-	1	-	
9	P62607	H-0705-3500	5/8"Ø CLEVIS BOLT	-	1	-	

ASSEMBLY NUMBER	REF. NO.
LS-3-N	A
LS-3-N-BC	B
LS-3-N-LP	C
	D

NOTES:

- MATERIAL - BODY AND KEEPER: A356-T6 ALUMINUM ALLOY  
HARDWARE: STEEL, HOT DIP GALVANIZED PER ASTM-A153
- ULTIMATE STRENGTH: 25,000 LBS.
- CLAMPING RANGE - 0.75" TO 1.37"



ALUMINUM SUSPENSION CLAMP  
LS-3-N, LS-3-N-BC, LS-3-N-LP

ENG. REF.

This information is confidential and is the property of Maclean Power Systems. It may not be made public or reproduced except that the Customer may make copies for use solely in installation, maintenance, and operation of products supplied by Maclean Power Systems.

DATE: 12/16/2011	SCALE: NONE	NO.	R	SH
DMN: CDR	CKD: RY	APR: RY	1	1
BC8561-1				