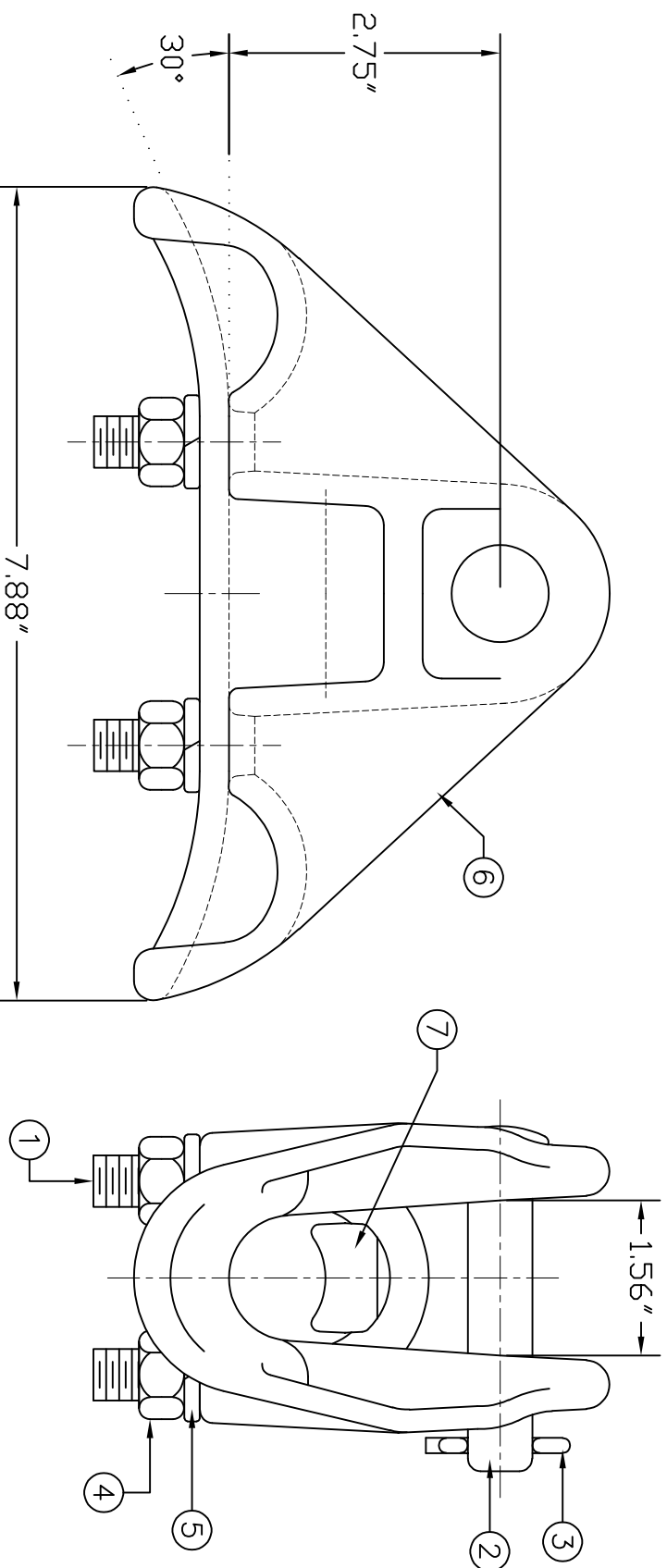
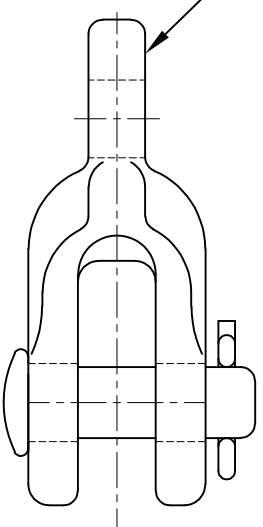


REVISIONS			
NO.	DATE	DESCRIPTION	BY CKD
1	9/14/23	CHANGED DRAWING FOR NEW PART	KMK

ASSEMBLE CLEVIS EYE TO
CLAMP BODY FOR LS-3-C ⑧



ITEM NO.	PART NO.	CAT. NO.	DESCRIPTION	QUANTITY			
				A	B	C	D
1	P56007	H-0201-12	1/2" U-BOLT	2			
2	P56059	H-0300-04	5/8"Ø CLEVIS PIN	1			
3	P56109	H-0360-01	COTTER PIN HMP 5/8"	1			
4	P56137	H-0400-04	1/2"-13 HEX NUT FIN	4			
5	P56399	H-0520-04	1/2" LOCKWASHER	4			
6	P58950	P-0365-01	LS-4 BODY	1			
7	P59402	P-0836-01	LS-3 & LS-4 KEEPER	1			
8	F327202	SCE-55-1375A	STRAIGHT CLEVIS EYE	1			

ASSEMBLY NUMBER	REF. NO.
LS-3-C	A
	B
	C
	D

NOTES:

- MATERIAL – BODY AND KEEPER: A356-T6 ALUMINUM ALLOY
HARDWARE: STEEL, HOT DIP GALVANIZED PER ASTM-A153
COTTER PIN: STAINLESS STEEL
- ULTIMATE STRENGTH: 25,000 LBS.
- CLAMPING RANGE – 0.75" TO 1.37"



ALUMINUM SUSPENSION CLAMP
LS-3-C

ENG. REF.

This information is confidential and is the property of Maclean Power Systems. It may not be made public or reproduced except that the Customer may make copies for use solely in installation, maintenance, and operation of products supplied by Maclean Power Systems.

DATE: 12/16/2011	SCALE: NONE	NO.	R	SH-1
DMW: CDR	CKD: RY	APR: RY	1	OF 1
BC8561-2				