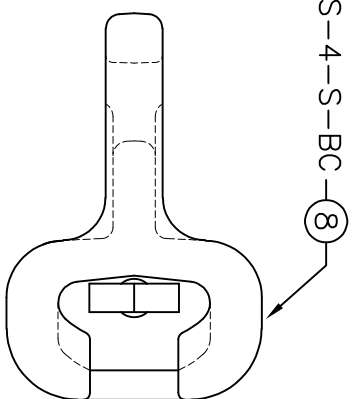
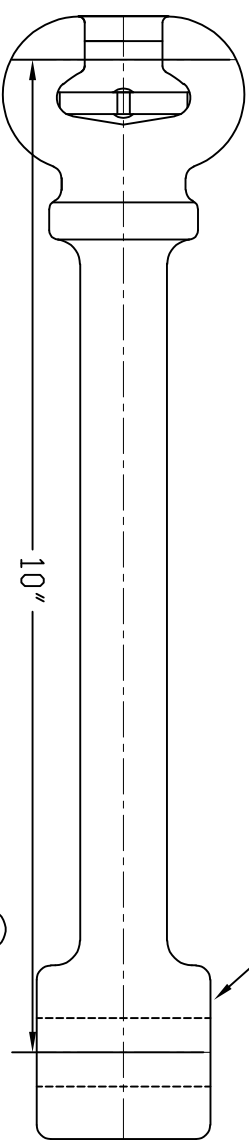


REVISIONS			
NO.	DATE	DESCRIPTION	BY CKD
1	9/14/23	ADDED -SEHL-BC OPTION	KMK

ASSEMBLE SOCKET EYE TD CLAMP
BODY DN LS-4-S, LS-4-S-BC-8
AND LS-4-S-LP.



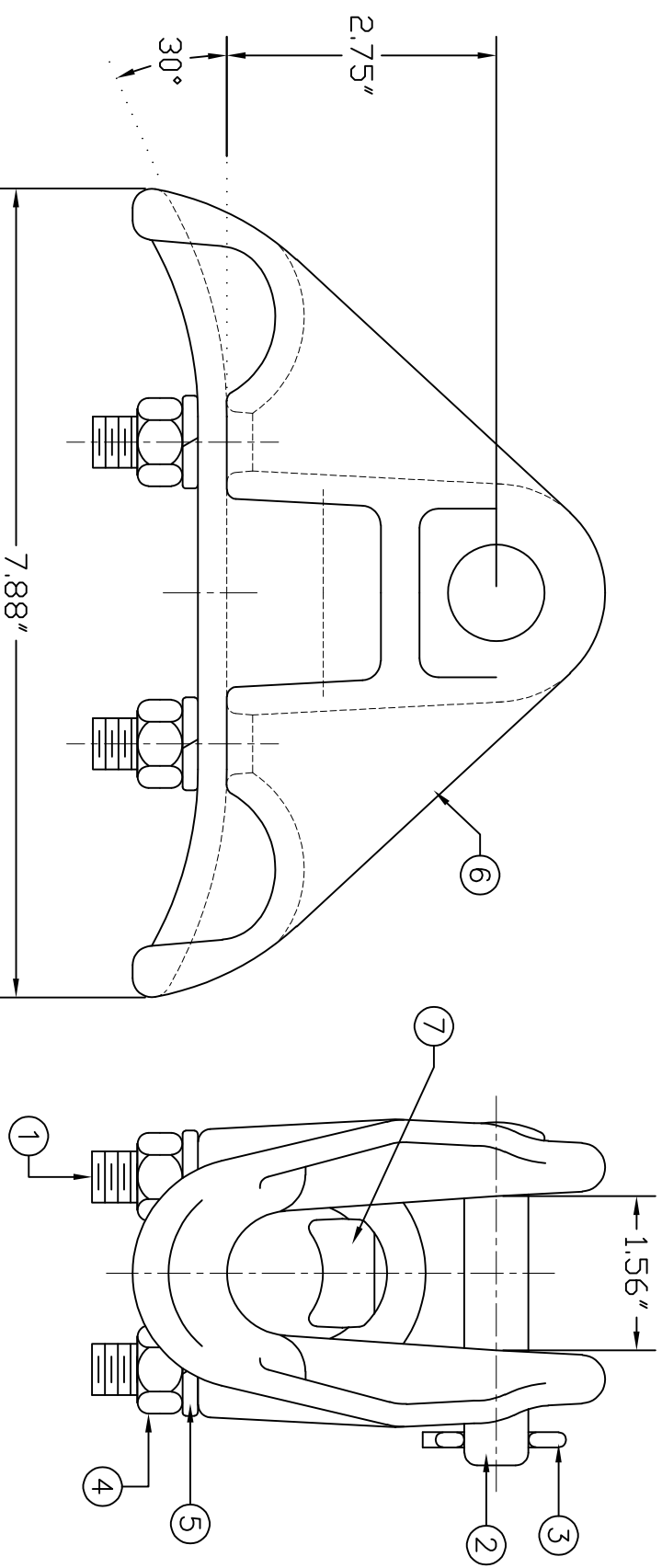
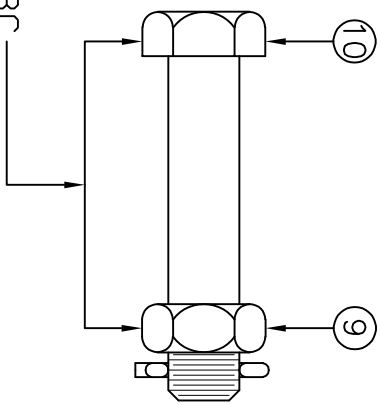
ASSEMBLE SOCKET HOTLINE TD CLAMP
BODY DN LS-4-SEHL-BC-8



ITEM NO.	PART NO.	CAT. NO.	DESCRIPTION	QUANTITY			
				A	B	C	D
1	P56007	H-0201-12	1/2" U-BOLT	2	2	2	2
2	P56059	H-0300-04	5/8"Ø CLEVIS PIN	1	-	-	-
3	P56109	H-0360-01	COTTER PIN HMP 5/8"	1	1	-	1
4	P56137	H-0400-04	1/2"-13 HEX NUT FIN	4	4	4	4
5	P56399	H-0520-04	1/2" LOCKWASHER	4	4	4	4
6	P58950	P-0365-01	LS-4 BODY	1	1	1	1
7	P59402	P-0836-01	LS-3 & LS-4 KEEPER	1	1	1	1
8	P56896P	>SI-1375	SOCKET EYE	1	1	1	-
9	P56157	H-0402-05	5/8" HEX JAM NUT	-	1	-	1
10	P62607	H-0705-3500	5/8"Ø CLEVIS BOLT	-	1	-	1
11	P328202	SEHL-1375	SOCKET HOT LINE	-	-	-	1

ASSEMBLY NUMBER	REF. NO.
LS-4-S	A
LS-4-S-BC	B
LS-4-S-LP	C
LS-4-SEHL-BC	D

REPLACE CLEVIS PIN IN LS-4-S-BC



- NOTES:
- MATERIAL - BODY AND KEEPER: A356-T6 ALUMINUM ALLOY
 - ULTIMATE STRENGTH: 25,000 LBS.
 - CLAMPING RANGE - 0.75" TO 1.37"

HARDWARE:
STEEL, HOT DIP GALVANIZED PER
ASTM-A153

COTTER PIN:
STAINLESS STEEL



ALUMINUM SUSPENSION CLAMP
LS-4-S, LS-4-S-BC, LS-4-S-LP,
LS-4-SEHL-BC

ENG. REF.

This information is confidential and is the property of Maclean Power Systems. It may not be made public or reproduced except that the Customer may make copies for use solely in installation, maintenance, and operation of products supplied by Maclean Power Systems.

DATE: 12/16/2011	SCALE: NONE	NO.	R	SH
DMN: CDR	CKD: RY	BC8562-4	1	1