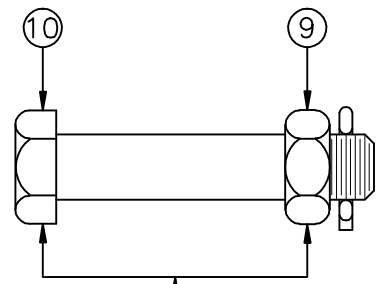
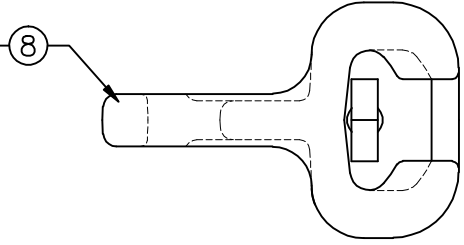
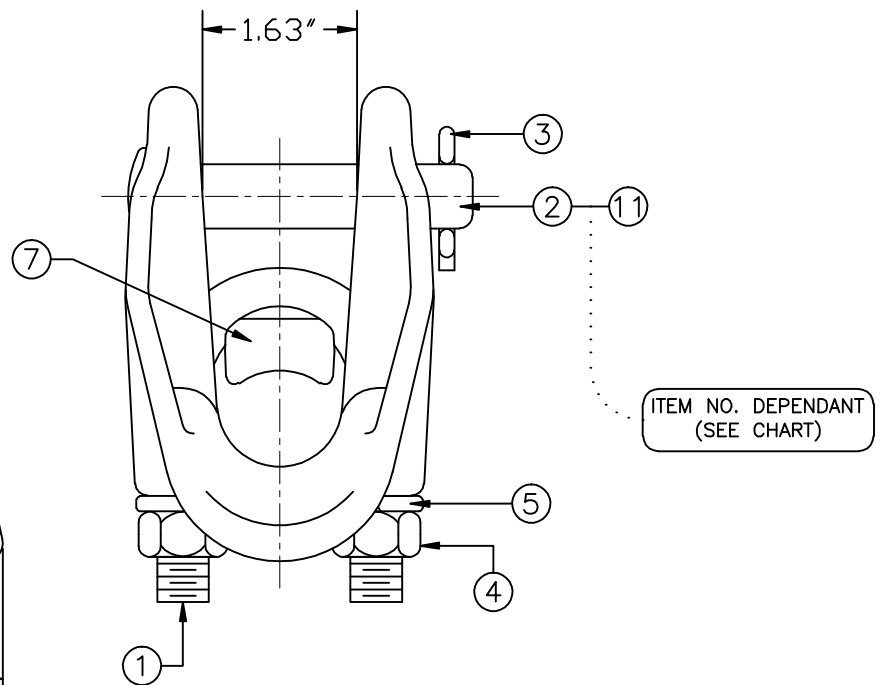
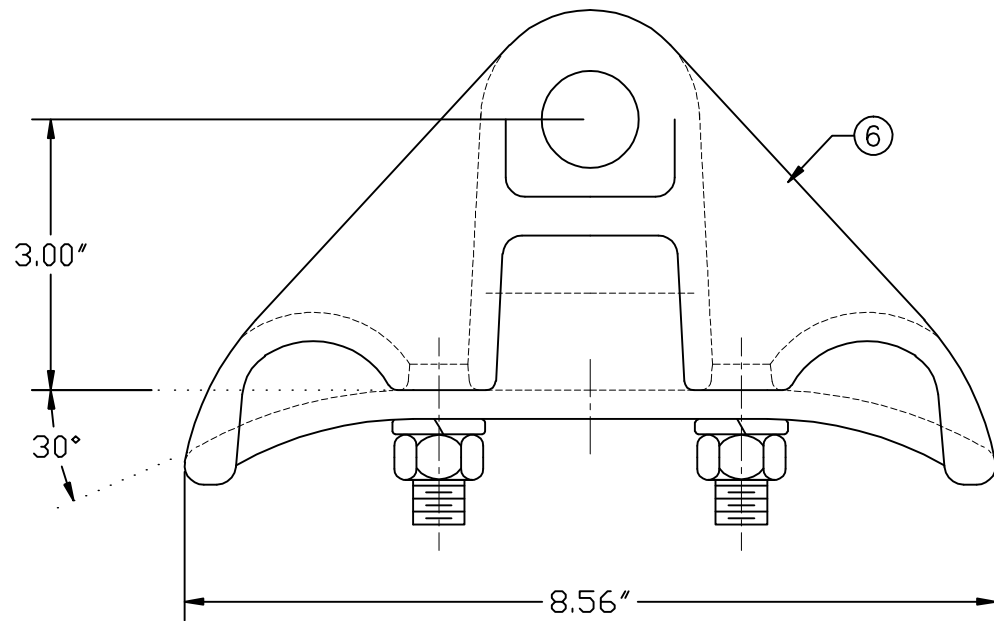


| REVISIONS | | | | |
|-----------|------|-------------|----|-----|
| NO. | DATE | DESCRIPTION | BY | CKD |
| | | | | |

ASSEMBLE SOCKET EYE TO CLAMP BODY
ON LS-6-S, LS-6-S-BC, LS-6-S-STP



REPLACE CLEVIS PIN IN LS-6-S-BC



ITEM NO. DEPENDANT
(SEE CHART)

| ITEM NO. | PART NO. | CAT. NO. | DESCRIPTION | QUANTITY | | | |
|----------|----------|-------------|------------------------------|----------|---|---|---|
| | | | | A | B | C | D |
| 1 | P56010 | H-0201-14 | 1/2" U-BOLT | 2 | 2 | 2 | |
| 2 | P56060 | H-0300-05 | 5/8"Ø CLEVIS PIN | 1 | - | - | |
| 3 | P56109 | H-0360-01 | COTTER PIN HMP 5/8" | 1 | 1 | 2 | |
| 4 | P56137 | H-0400-04 | 1/2"-13 HEX NUT FIN | 4 | 4 | 4 | |
| 5 | P56399 | H-0520-04 | 1/2" LOCKWASHER | 4 | 4 | 4 | |
| 6 | P58948 | *LS-6B | LS-6 BODY | 1 | 1 | 1 | |
| 7 | P59403 | *LS-6K | LS-6 KEEPER | 1 | 1 | 1 | |
| 8 | P56896P | >SI-1375 | SOCKET EYE | 1 | 1 | 1 | |
| 9 | P56157 | H-0402-05 | 5/8" HEX JAM NUT | - | 1 | - | |
| 10 | P62609 | H-0705-3875 | 5/8"Ø CLEVIS BOLT | - | 1 | - | |
| 11 | P57312 | M-0687-06 | 5/8"Ø x 3-3/4" SS CLEVIS PIN | - | - | 1 | |

| ASSEMBLY NUMBER | REF. NO. |
|-----------------|----------|
| LS-6-S | A |
| LS-6-S-BC | B |
| LS-6-S-STP | C |
| | D |

- NOTES:
- MATERIAL - BODY AND KEEPER:
A356-T6 ALUMINUM ALLOY
 - HARDWARE:
STEEL, HOT DIP GALVANIZED PER
ASTM-A153
 - COTTER PIN:
STAINLESS STEEL
 - ULTIMATE STRENGTH: 25,000 LBS.
 - CLAMPING RANGE - 1.00" TO 1.49"



ALUMINUM SUSPENSION CLAMP
LS-6-S, LS-6-S-BC, LS-6-S-STP