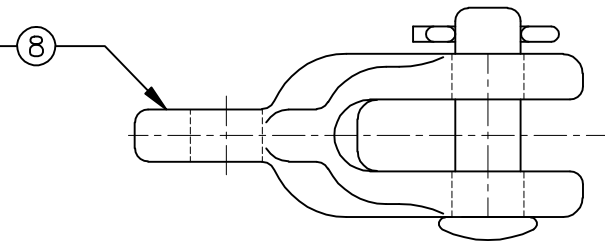


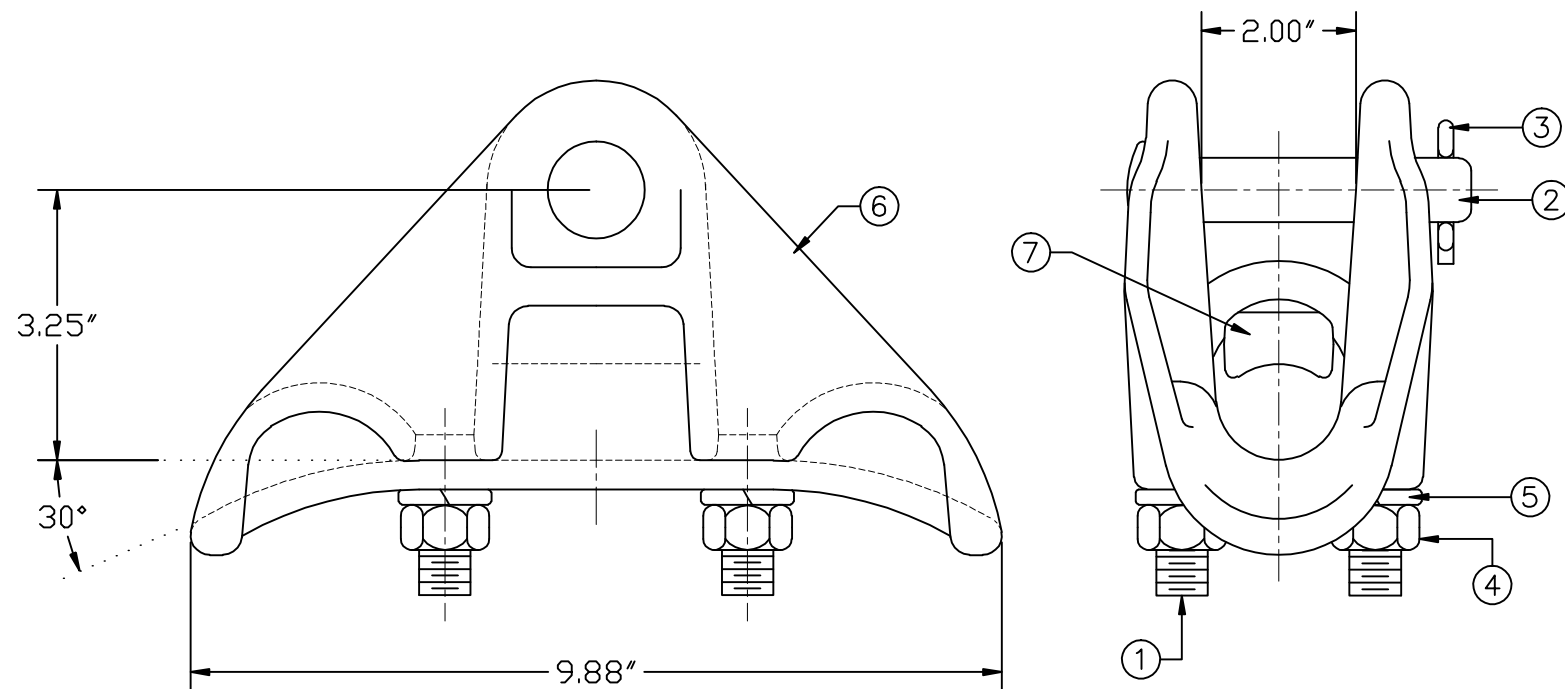
REVISIONS				
NO.	DATE	DESCRIPTION	BY	CKD

ITEM NO.	PART NO.	CAT. NO.	DESCRIPTION	QUANTITY			
				A	B	C	D
1	P56013	H-0201-17	1/2" U-BOLT	2			
2	P56061	H-0300-06	5/8"Ø CLEVIS PIN	1			
3	P56109	H-0360-01	COTTER PIN HMP 5/8"	1			
4	P56137	H-0400-04	1/2"-13 HEX NUT FIN	4			
5	P56399	H-0520-04	1/2" LOCKWASHER	4			
6	P59389	*LS-7B	LS-7 BODY	1			
7	P59404	*LS-7/8K	LS-7-8 KEEPER	1			
8	F327206	SCE-55-1750	STRAIGHT CLEVIS EYE	1			

ASSEMBLE CLEVIS EYE TO CLAMP BODY FOR LS-7-C



ASSEMBLY NUMBER	REF. NO.
LS-7-C	A
	B
	C
	D



NOTES:

- MATERIAL - BODY AND KEEPER:
A356-T6 ALUMINUM ALLOY

HARDWARE:
STEEL, HOT DIP GALVANIZED PER
ASTM-A153

COTTER PIN:
STAINLESS STEEL
- ULTIMATE STRENGTH: 25,000 LBS.
- CLAMPING RANGE - 1.10" TO 1.77"

MACLEAN POWER SYSTEMS
A Maclean-fogg Company

ALUMINUM SUSPENSION CLAMP
LS-7-C

This information is confidential and is the property of Maclean Power Systems. It may not be made public or reproduced except that the Customer may make copies for use solely in installation, maintenance, and operation of products supplied by Maclean Power Systems.

DATE: 12/16/2011	SCALE: NONE	NO. BC8564-2	R / 0	SH. 1 OF 1
DWN. BY: CDR	CKD. BY:	APR. BY:		

ENG. REF.