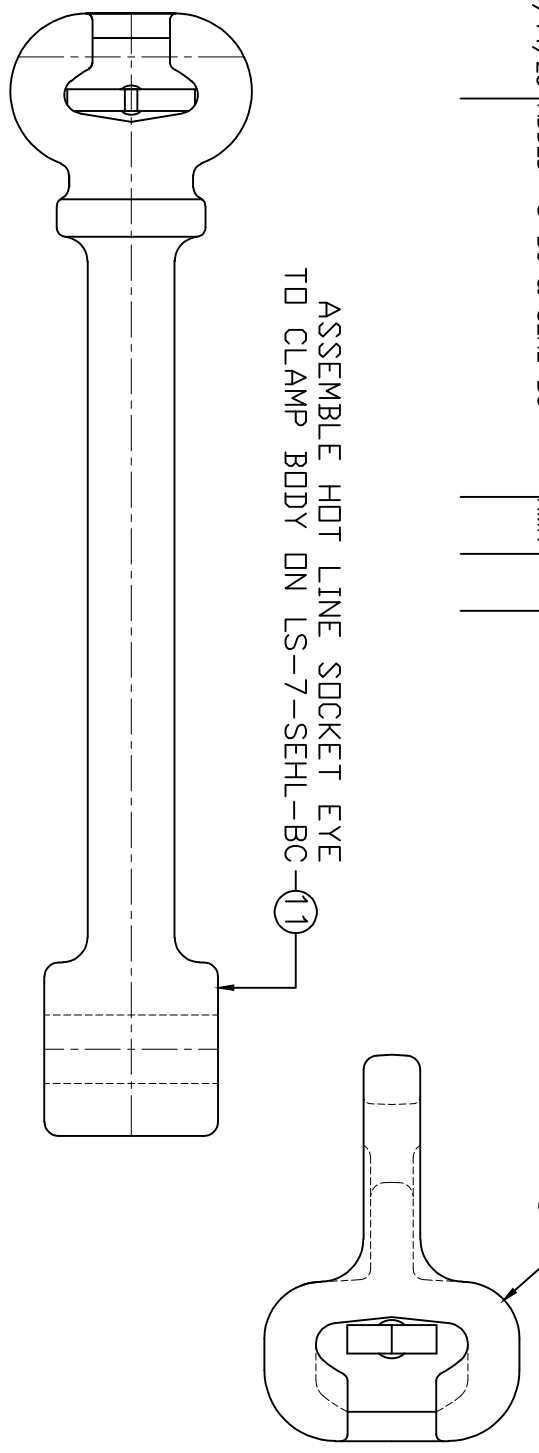


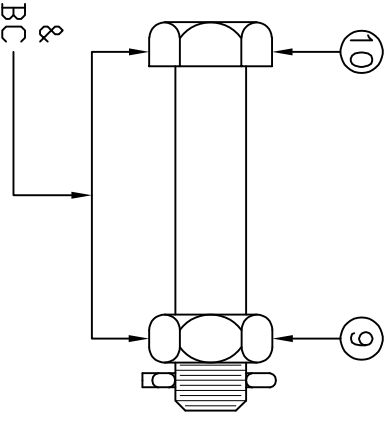
REVISIONS			
NO.	DATE	DESCRIPTION	BY CKD
1	9/14/23	ADDED -S-BC & SEHL-BC	KMK

ASSEMBLE SOCKET EYE TD
CLAMP BODY DN LS-7-S-8



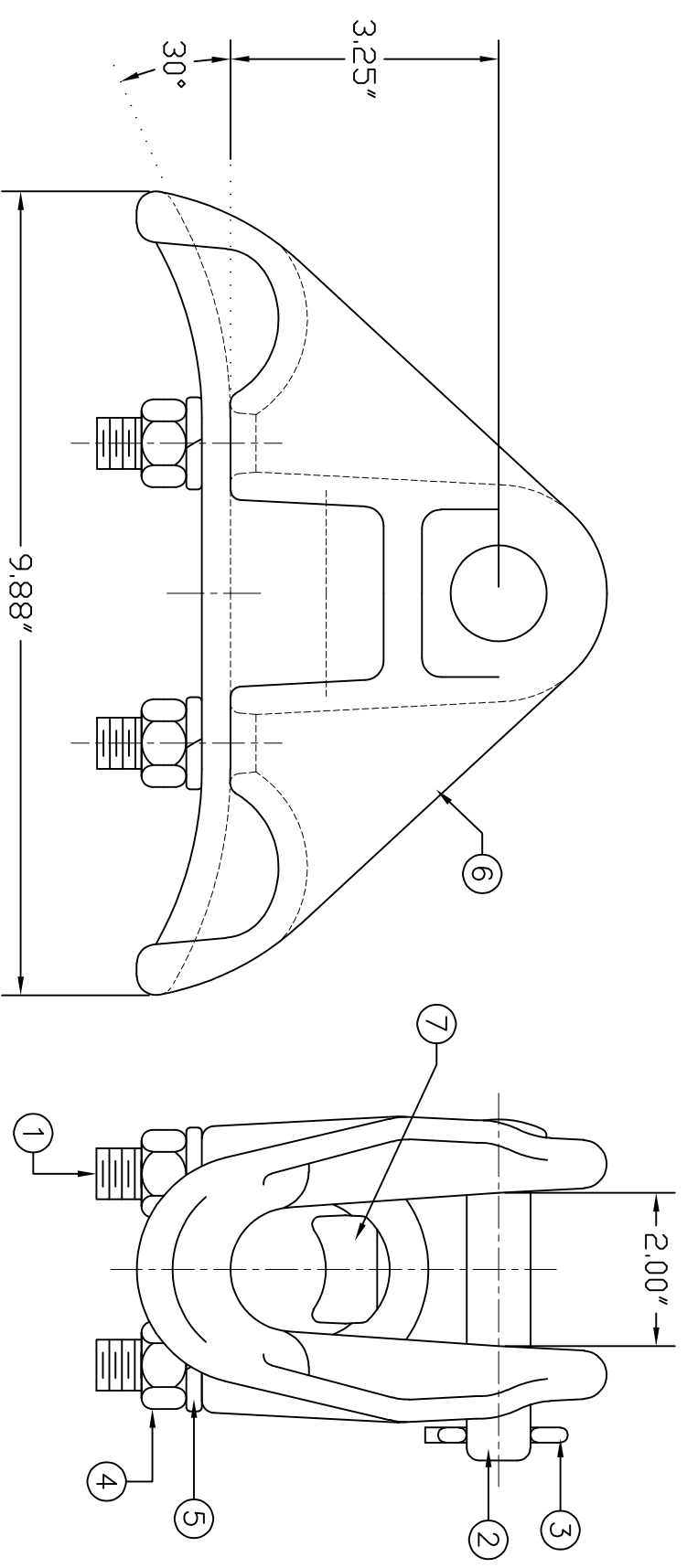
ASSEMBLE HOT LINE SOCKET EYE
TD CLAMP BODY DN LS-7-SEHL-BC-11

REPLACE CLEVIS PIN IN LS-7-S-BC &
LS-7-SEHL-BC



ITEM NO.	PART NO.	CAT. NO.	DESCRIPTION	QUANTITY			
				A	B	C	D
1	P56013	H-0201-17	1/2" U-BOLT	2	2	2	
2	P56061	H-0300-06	5/8"Ø CLEVIS PIN	1	-	-	
3	P56109	H-0360-01	COTTER PIN HMP 5/8"	1	1	1	
4	P56137	H-0400-04	1/2"-13 HEX NUT FIN	4	4	4	
5	P56399	H-0520-04	1/2" LOCKWASHER	4	4	4	
6	P59389	*LS-7B	LS-7 BODY	1	1	1	
7	P59404	*LS-7/8K	LS-7-8 KEEPER	1	1	1	
8	P56897P	>SI-1750	SOCKET EYE	1	1	-	
9	P56157	H-0402-5	5/8" JAM NUT	-	1	1	
10	P62611	H-0705-4250	5/8" CLEVIS BOLT	-	1	1	
11	P56871	SEHL-1750	SOCKET HOT LINE	-	-	1	

ASSEMBLY NUMBER	REF. NO.
LS-7-S	A
LS-7-S-BC	B
LS-7-SEHL-BC	C
	D



NOTES:
1. MATERIAL - BODY AND KEEPER:
A356-T6 ALUMINUM ALLOY

HARDWARE:
STEEL, HOT DIP GALVANIZED PER
ASTM-A153

COTTER PIN:
STAINLESS STEEL

2. ULTIMATE STRENGTH: 25,000 LBS.
3. CLAMPING RANGE - 1.10" TO 1.77"

MACLEAN POWER SYSTEMS
A Maclean-fogg Company

ALUMINUM SUSPENSION CLAMP
LS-7-S

ENG. REF.

This information is confidential and is the property of Maclean Power Systems. It may not be made public or reproduced except that the Customer may make copies for use solely in installation, maintenance, and operation of products supplied by Maclean Power Systems.

DATE: 12/16/2011	SCALE: NONE	NO.	R	SH
DMW: CDR	CKD: RY	BC8564-4	1	1