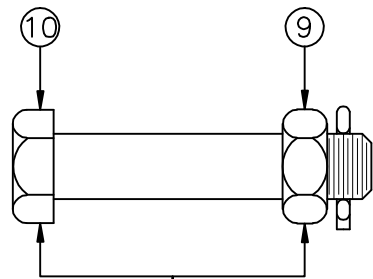
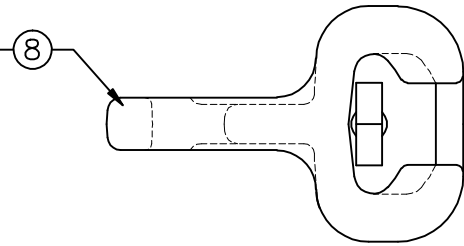
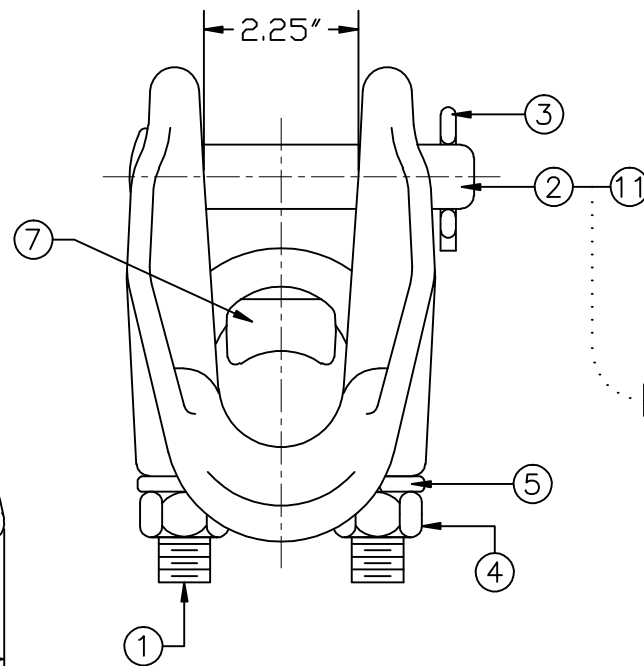
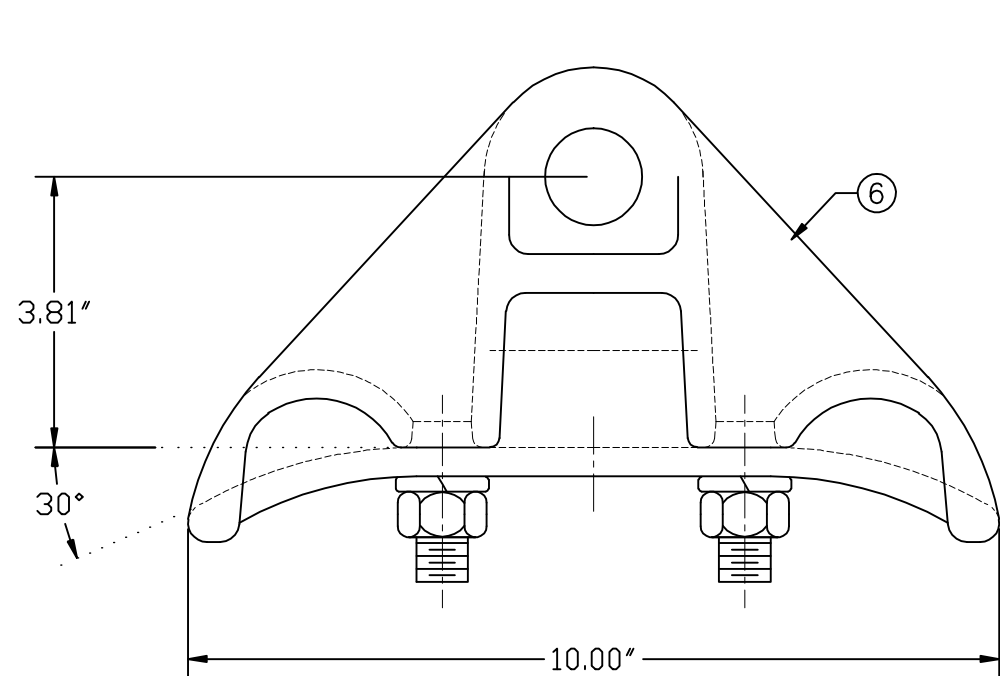


| REVISIONS |      |             |    |     |
|-----------|------|-------------|----|-----|
| NO.       | DATE | DESCRIPTION | BY | CKD |
|           |      |             |    |     |

ASSEMBLE SOCKET EYE TO CLAMP BODY  
ON LS-9-S, LS-9-S-BC, LS-9-S-STP



REPLACE CLEVIS PIN IN LS-9-S-BC



ITEM NO. DEPENDANT  
(SEE CHART)

| ASSEMBLY NUMBER | REF. NO. |
|-----------------|----------|
| LS-9-S          | A        |
| LS-9-S-BC       | B        |
| LS-9-S-STP      | C        |
|                 | D        |

| ITEM NO. | PART NO. | CAT. NO.    | DESCRIPTION         | QUANTITY |   |   |   |
|----------|----------|-------------|---------------------|----------|---|---|---|
|          |          |             |                     | A        | B | C | D |
| 1        | P56015   | H-0201-19   | 1/2" U-BOLT         | 2        | 2 | 2 |   |
| 2        | P56064   | H-0300-07   | 5/8"φ CLEVIS PIN    | 1        | - | - |   |
| 3        | P56109   | H-0360-01   | COTTER PIN HMP 5/8" | 1        | 1 | 2 |   |
| 4        | P56137   | H-0400-04   | 1/2"-13 HEX NUT FIN | 4        | 4 | 4 |   |
| 5        | P56399   | H-0520-04   | 1/2" LOCKWASHER     | 4        | 4 | 4 |   |
| 6        | P58729   | P-0136-01   | LS-9 BODY           | 1        | 1 | 1 |   |
| 7        | P59405   | P-0839-01   | LS-9 KEEPER         | 1        | 1 | 1 |   |
| 8        | P56898P  | >SI-2000    | SOCKET EYE          | 1        | 1 | 1 |   |
| 9        | P56157   | H-0402-05   | 5/8" HEX JAM NUT    | -        | 1 | - |   |
| 10       | P62612   | H-0705-4375 | 5/8"φ CLEVIS BOLT   | -        | 1 | - |   |
| 11       | P57314   | M-0687-08   | 5/8"φ SS PIN        | -        | - | 1 |   |

NOTES:

1. MATERIAL - BODY AND KEEPER:  
A356-T6 ALUMINUM ALLOY

HARDWARE:  
STEEL, HOT DIP GALVANIZED PER  
ASTM-A153

COTTER PIN:  
STAINLESS STEEL

2. ULTIMATE STRENGTH: 25,000 LBS.

3. CLAMPING RANGE - 1.40" TO 2.18"



ALUMINUM SUSPENSION CLAMP  
LS-9-S, LS-9-S-BC, LS-9-S-STP

ENG. REF.

This information is confidential and is the property of Maclean Power Systems. It may not be made public or reproduced except that the Customer may make copies for use solely in installation, maintenance, and operation of products supplied by Maclean Power Systems.

|                  |             |          |          |       |              |
|------------------|-------------|----------|----------|-------|--------------|
| DATE: 12/16/2011 | SCALE: NONE | NO.      | BC8566-4 | R / 0 | SH. 1 / OF 1 |
| DWN. BY: CDR     | CKD. BY:    | APR. BY: |          |       |              |