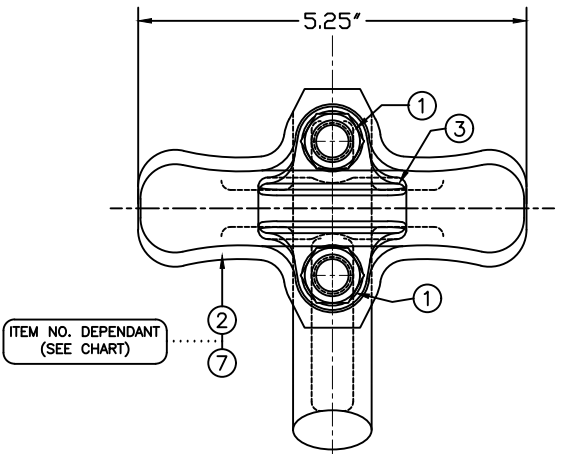
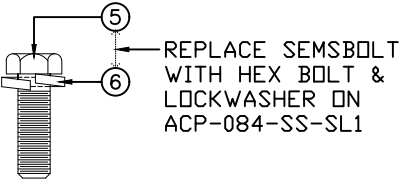
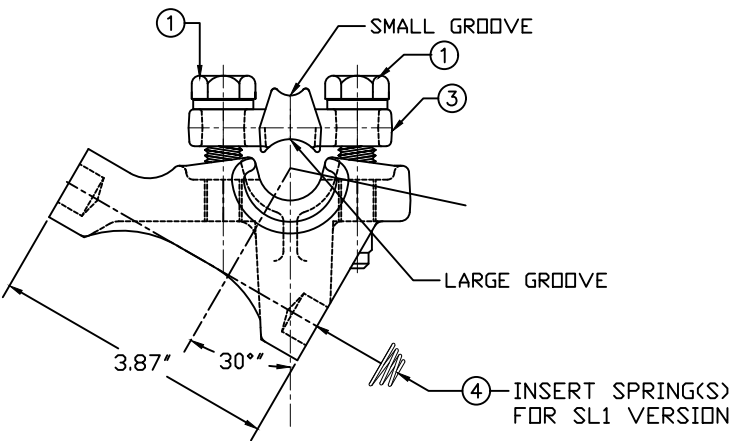
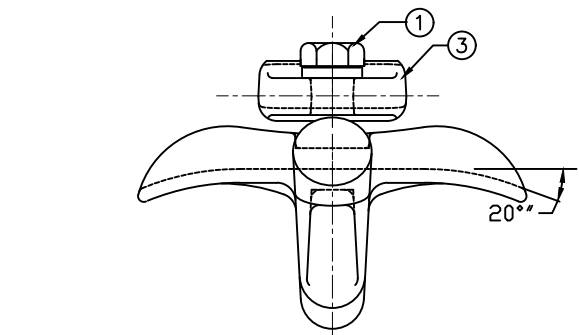


REVISIONS				
NO.	DATE	DESCRIPTION	BY	CKD
1	10/19/2023	ADDED NOTE FOR KEEPER ASSEMBLY	HMG	WCL

ITEM NO.	PART NO.	CAT. NO.	DESCRIPTION	QUANTITY			
				A	B	C	D
1	P56045	H-0241-01	1/2" SEMSBOLT	2	2	-	
2	P59550	ACP057084B	ACP-084 BODY MACH	1	1	-	
3	P59551	ACTS057084K	ACTS & ACP-084 KEEPER	1	1	1	
4	P60279	H-0480-02	CONICAL COMPRESSION SPRING	-	1	1	
5	P55919	H-0153-01	1/2" x 1-3/4" HEX HEAD BOLT	-	-	2	
6	P56417	H-0522-04	1/2" SS LOCKWASHER	-	-	2	
7	P59546S	P-6216-01A	ACP-084 STANDARD TAP BODY	-	-	1	



ASSEMBLY NUMBER	REF. NO.
ACP-084	A
ACP-084-SL1	B
ACP-084-SS-SL1	C
	D



- NOTES:
- MATERIAL - BODY AND KEEPER:  
A356-T6 ALUMINUM ALLOY
  - HARDWARE:  
STEEL, HOT DIP GALVANIZED PER ASTM-A153
  - SPRING:  
STAINLESS STEEL
  - ULTIMATE STRENGTH: 5,000 LBS.
  - CLAMPING RANGE - 0.23" TO 0.84"

**MACLEAN POWER SYSTEMS**  
A Maclean-fogg Company

TOP LINE POST INSULATOR ANGLE CLAMP  
ACP-084, ACP-084-SL1, ACP-084-SS-SL1

This information is confidential and is the property of Maclean Power Systems. It may not be made public or reproduced except that the Customer may make copies for use solely in installation, maintenance, and operation of products supplied by Maclean Power Systems.

DATE: 12/27/2011	SCALE: NONE	NO.	BC8575-1	R / 1	SL_1
DRN. BY: CDR	CKD. BY:	APR. BY:			CF_1

ENG. REF.