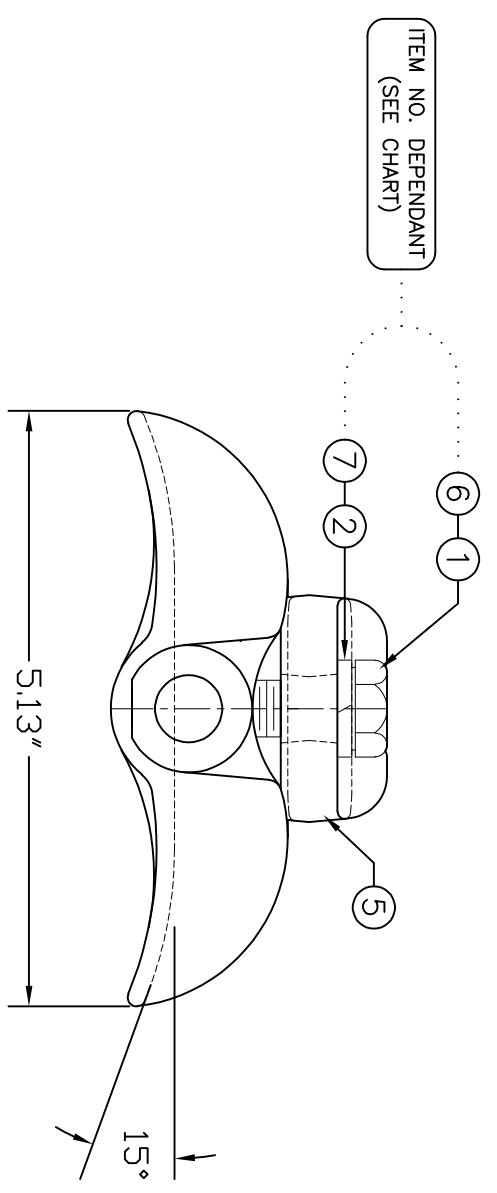
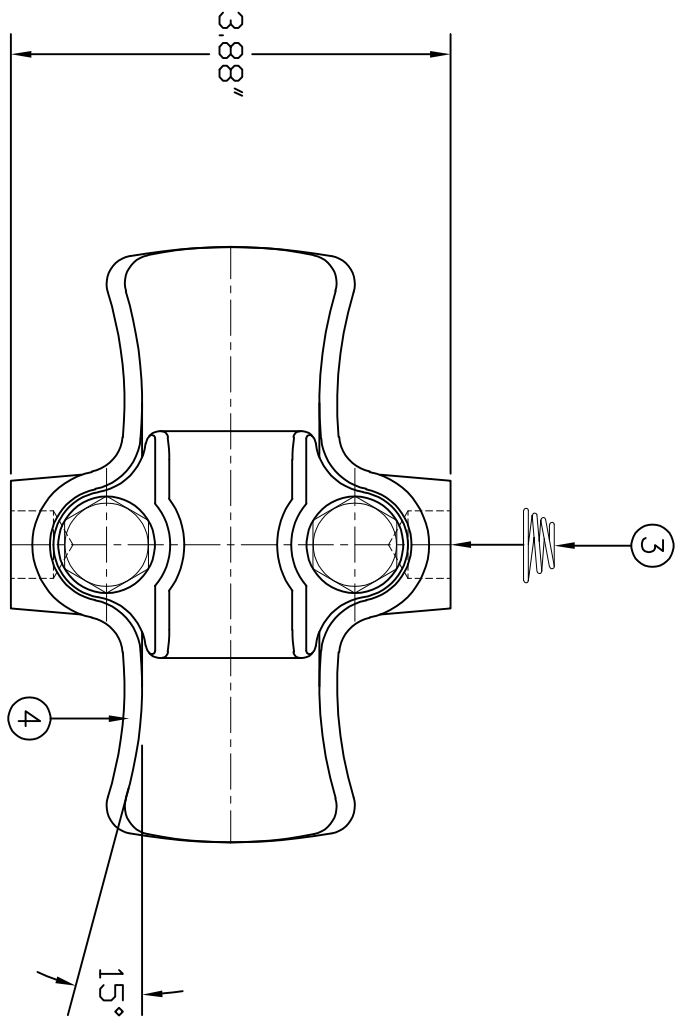


REVISIONS			
NO.	DATE	DESCRIPTION	BY CKD



ITEM NO. DEPENDANT  
(SEE CHART)

ITEM NO.	PART NO.	CAT. NO.	DESCRIPTION	QUANTITY			
				A	B	C	D
1	P55930	H-0156-02	1/2"x1-3/4" BRONZE HHB	2	2		
2	P56409	H-0521-04	1/2" BRONZE LOCKWASHER	2	2		
3	P60279	H-0480-02	CONICAL COMPRESSION SPRING	1	1		
4	P59557	LPS-5786BR-B	LPS57/86 BRONZE BODY MACH	1	1		
5	P59556B	LPS-5786BR-KU	LPS5786 BRONZE KEEPER	1	1		

ASSEMBLY NUMBER	REF. NO.	KEEPER ASSEMBLY
LPS-86B	A	MIN GROOVE UP
	B	
	C	
	D	

NOTE: LPS-57B MAX GROOVE UP

- NOTES:
1. MATERIAL – BODY AND KEEPER: HIGH STRENGTH BRONZE
  2. ULTIMATE STRENGTH: 5,000 LBS.
  3. CLAMPING RANGE – 0.23" TO 0.86"

HARDWARE:  
BRONZE

SPRING:  
STAINLESS STEEL



TOP LINE POST INSULATOR ANGLE CLAMP  
LPS-86B

ENG. REF.

This information is confidential and is the property of Maclean Power Systems. It may not be made public or reproduced except that the Customer may make copies for use solely in installation, maintenance, and operation of products supplied by Maclean Power Systems.

DATE: 12/27/2011	SCALE: NONE	NO.	R	SH
DMN: CDR	CKD: BR:	APR:	1	1
		BC8586-1		