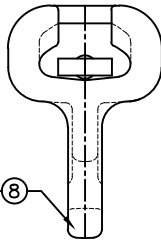


REVISIONS				
NO.	DATE	DESCRIPTION	BY	CKD

ITEM NO.	PART NO.	CAT. NO.	DESCRIPTION	QUANTITY			
				A	B	C	D
1	P55848	H-0123-04	1/2"x3" GR5 CARRIAGE BOLT	1			
2	P56092	H-0315-01	5/8"Ø x 1-3/4" CLEVIS PIN	1			
3	P56109	H-0360-01	COTTER PIN HMP 5/8"	1			
4	P56137	H-0400-04	1/2"-13 HEX NUT FIN	1			
5	P56294	H-0500-04	1/2" FLATWASHER	1			
6	P58853	P-0274	ALS-2 BODY CST	1			
7	P58854	P-0275-01	RALS-2 KEEPER CAS	1			
8	P56893P	SI-625	SOCKET EYE		1		

ASSEMBLE SOCKET EYE TO CLAMP BODY ON ALS-2-S-⑧



ASSEMBLY NUMBER	REF. NO.
ALS-2-N	A
ALS-2-S	B
	C
	D

NOTES:

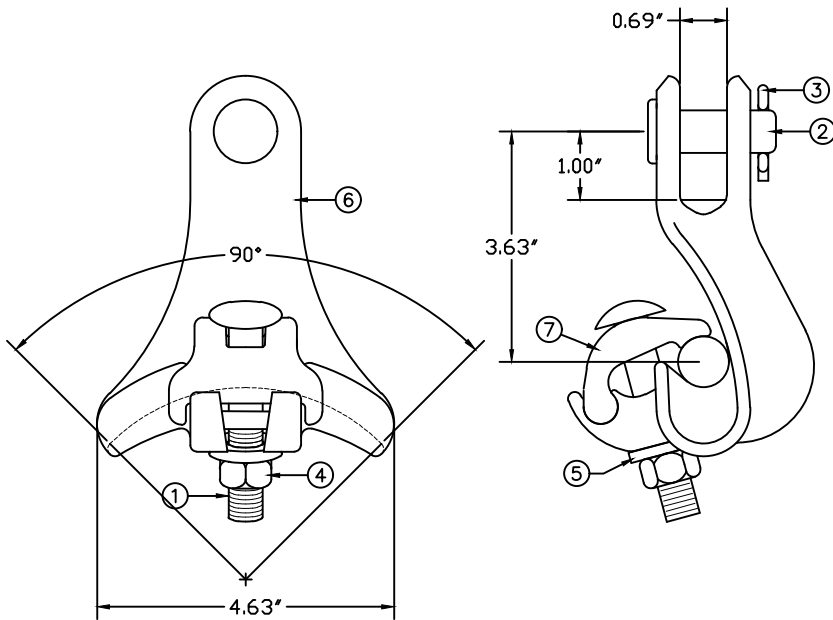
1. MATERIAL - BODY & KEEPER:  
ALUMINUM ALLOY A356-T6  
SOCKET EYE - DUCTILE IRON,  
HOT DIP GALVANIZED.

HARDWARE:  
STEEL, HOT DIP GALVANIZED PER  
ASTM-A153


COTTER PIN:  
STAINLESS STEEL

2. ULTIMATE STRENGTH: 10,000 LBS.

3. CLAMPING RANGE - 0.492" TO 1.04"



This information is confidential and is the property of Maclean Power Systems. It may not be made public or reproduced except that the Customer may make copies for use solely in installation, maintenance, and operation of products supplied by Maclean Power Systems.

 <b>MACLEAN POWER SYSTEMS</b> A Maclean-fogg Company	
ANGLE SUSPENSION CLAMP ALS-2-N & ALS-2-S	
DATE: 12/29/2011	SCALE: NONE
DRAWN: CDR	NO. BC8595-1
CHKD: BR	R/0
APR: BR	SH 1
	OF 1

ENG. REF.